

PMT Series

Aerial Pole Mounted Terminals

CPE/Premise Wiring

MDU

Utility/Municipality



PMT (25 pair shown)

PMT Series are unprotected pole mounted terminals utilizing Tii's gel sealed tool-less IDC connections. The connectivity modules support drop wires from 18-24 AWG without the need to strip the insulation. The units are available from ten to fifty pairs in a high density, craft friendly design.

KEY PRODUCT BENEFITS

- ▶ Simple installation
- ▶ Tool-less IDC connections
- ▶ Connections are gel sealed against the environment
- ▶ Dual IDCs supports 18-24 AWG drop wires
- ▶ Aluminum construction will not rust
- ▶ Beige powdercoat finish
- ▶ Air dammed stub for pressurized systems
- ▶ High density, craft friendly design

INDUSTRY STANDARDS

- ▶ Telcordia TR-NWT-000975 and TR-NWT-000979



Tii Technologies Inc.

Corporate Headquarters:

141 Rodeo Drive
Edgewood, NY 11717

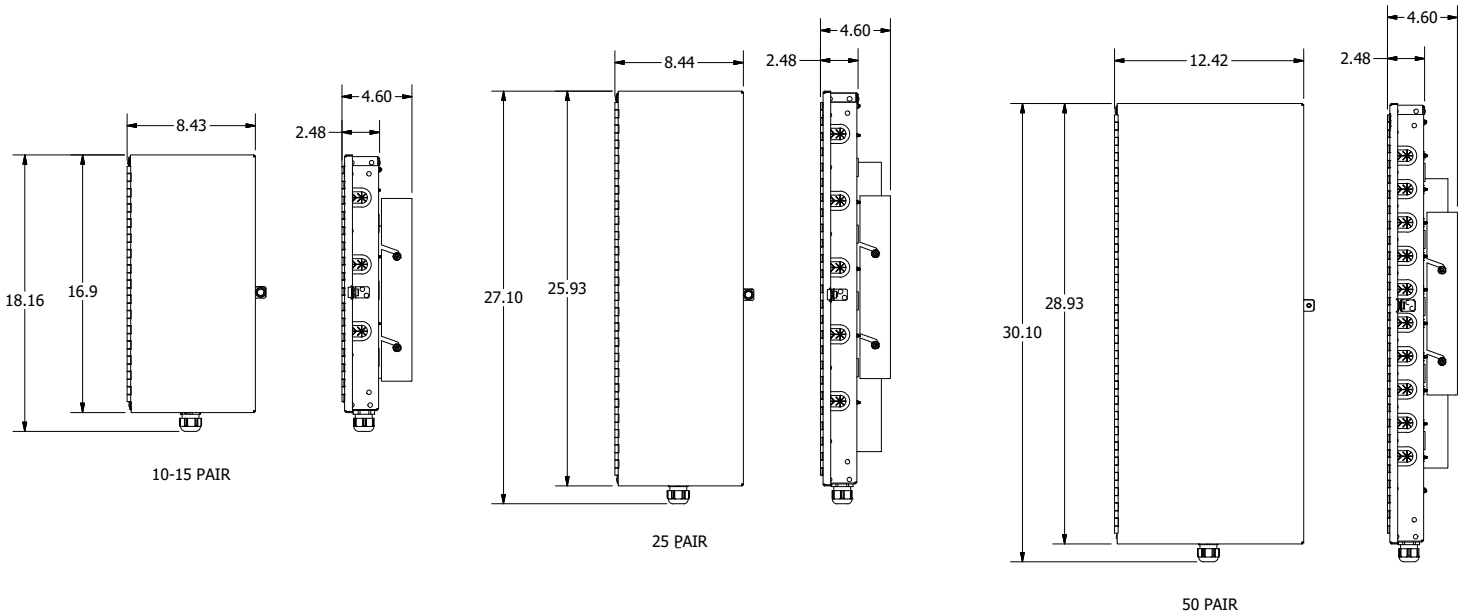
Phone: 631.789.5000

Fax: 631.789.5063

Toll Free: 888.844.4720

sales@tiitech.com

PMT Series



Dimensions are in Inches

ORDERING INFORMATION

PMT	XX Pairs	XX Stub Length in Feet	XX Customer Specific
	10	12	
	15	25	
	25		
	50		

INFORMATION CONTAINED IN THIS PUBLICATION IS PROVIDED ONLY FOR YOUR CONVENIENCE AND IS SUBJECT TO CHANGE WITHOUT NOTICE. TII TECHNOLOGIES MAKES NO REPRESENTATIONS OR WARRANTIES OF ANY KIND WHETHER EXPRESS OR IMPLIED, WRITTEN OR ORAL, STATUTORY OR OTHERWISE, RELATED TO THE INFORMATION, INCLUDING BUT NOT LIMITED TO ITS CONDITION, QUALITY, PERFORMANCE, MERCHANTABILITY OR FITNESS FOR PURPOSE; AND TII TECHNOLOGIES DISCLAIMS ALL LIABILITY ARISING FROM THE USE OF THIS INFORMATION.