

## PDT Series

### Sealed Pedestal Terminals

CPE/Premise Wiring

MDU

Utility/Municipality



PDT Series are unprotected sealed terminals ideally suited for mounting within pedestals. Utilizing Tii's gel sealed tool-less IDC connections. The connectivity modules support drop wires from 18-24 AWG without the need to strip the insulation. The units are available from in both a 10 pair and 25 pair version.

#### KEY PRODUCT BENEFITS

- ▶ Simple installation
- ▶ Tool-less IDC connections
- ▶ Connections are gel sealed against the environment
- ▶ Dual IDCs supports 18-24 AWG drop wires
- ▶ Aluminum construction will not rust
- ▶ Beige powdercoat finish
- ▶ Pre-stubbed OSP cable
- ▶ High density, craft friendly design

#### INDUSTRY STANDARDS

- ▶ Telcordia TR-NWT-000975 and TR-NWT-000979



**Tii Technologies Inc.**

**Corporate Headquarters:**

141 Rodeo Drive  
Edgewood, NY 11717

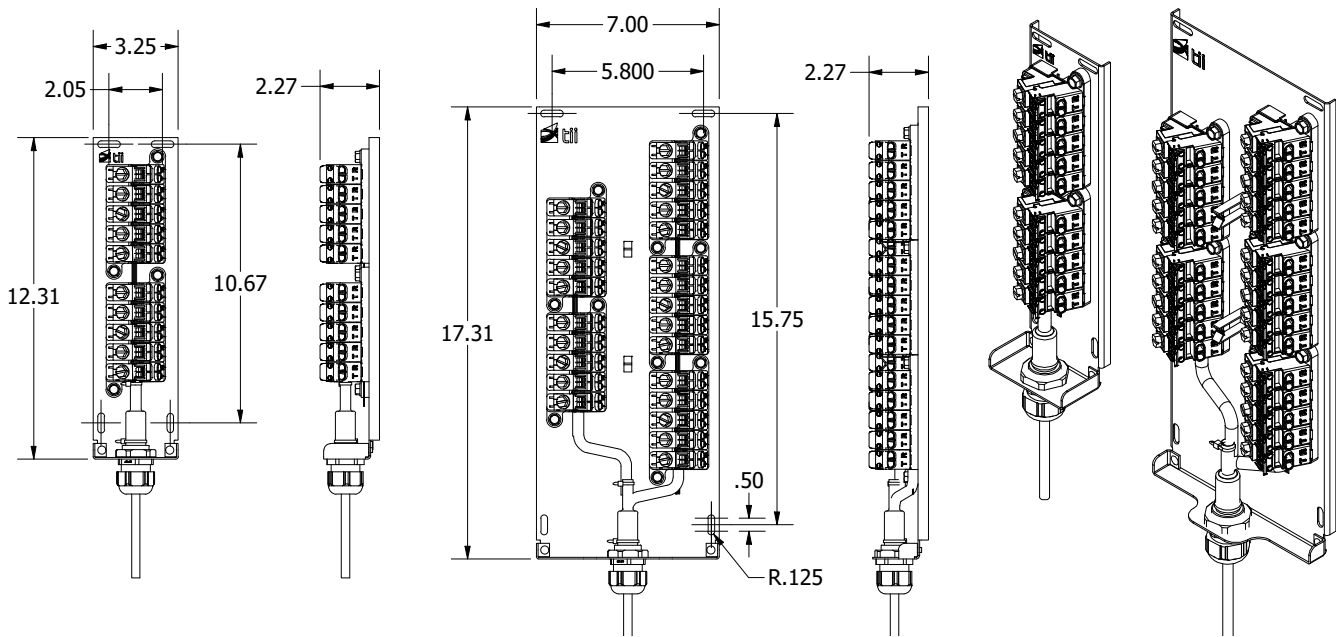
Phone: 631.789.5000

Fax: 631.789.5063

Toll Free: 888.844.4720

sales@tiitech.com

# PDT Series



Dimensions are in Inches

## ORDERING INFORMATION

Model #	Description
<b>PDT-10-6</b>	10 Pair Unprotected Sealed Pedestal Terminal, 6 ft Stub
<b>PDT-25-6</b>	25 Pair Unprotected Sealed Pedestal Terminal, 6 ft Stub