

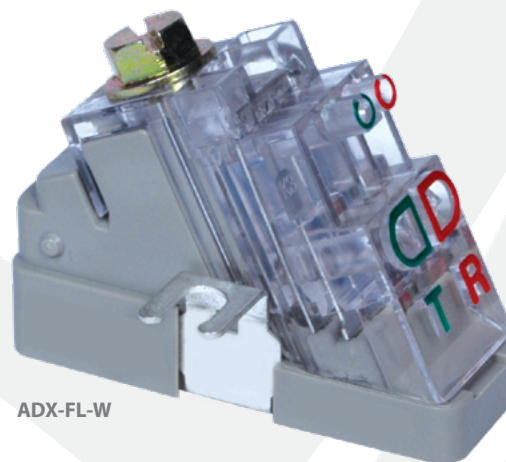
ADX-FL-W

Sealed Cross-Connect Fuse Link Module

CPE/Premise Wiring

Headend/CO

MDU



ADX-FL-W

Tii's Angle Driver® ADX-FL-W Cross-Connect Fuse Link Module provides a convenient fuse link with sealed IDC terminations in a standard 355/356 station protector footprint.

The ADX-FL-W serves as the fusing element when used in conjunction with primary surge protectors at the customer premises. The National Electrical Codes require use of a fusing element on all currents greater than the current carrying capacity of the primary protector, the associated insulated conductors and the primary protector's grounding conductor.

KEY PRODUCT BENEFITS

- ▶ Fully compatible with a wide range of high-speed digital networks
- ▶ IDC connections require no stripping of wire insulation for terminating
- ▶ The module has two ports for small gauge (22-26 AWG) customer side (fused) wire terminations and two ports that accept large gauge (18-19 AWG) or small gauge (22-24 AWG) wire for service side (unfused) tip/ring connections
- ▶ All tip/ring connections are environmentally sealed
- ▶ This cross-connect fuse link module may be employed in a variety of single and multiple pair housings and can be used to retrofit or service upgrade existing assemblies already installed in the field where fusing of the service wires is necessary
- ▶ The cross-connect fuse link module is supplied with a unique snap-off ground tab, which allows multiple mounting arrangements, and provides easy wire management

INDUSTRY STANDARDS

- ▶ Exceeds transmission requirements of Telcordia GR-974-CORE for high-speed digital subscriber line networks
- ▶ Listed to UL 1863
- ▶ Meets sealing requirements of Telcordia TR-NWT-000975
- ▶ Meets Telcordia TR-NWT-001195 Generic Requirements for IDC Cross-Connect and Terminal Blocks



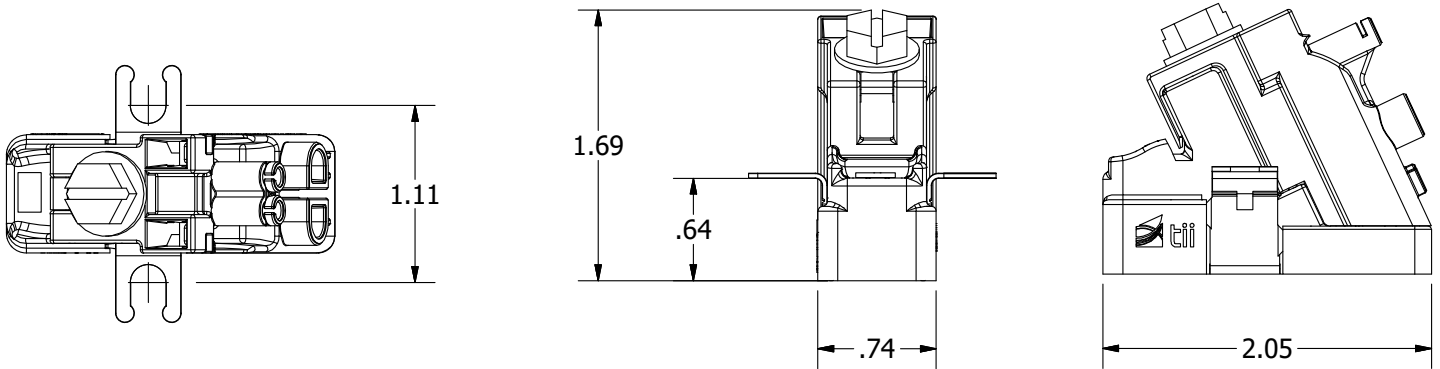
Tii Technologies Inc.

Corporate Headquarters:

141 Rodeo Drive
Edgewood, NY 11717
Phone: 631.789.5000
Fax: 631.789.5063
Toll Free: 888.844.4720
sales@tiitech.com

www.tiitech.com

ADX-FL-W



Dimensions are in Inches

ORDERING INFORMATION

Model No.	Description	Standard Pkg.
ADX-FL-W	Sealed Cross-Connect Fuse Link Module With Snap-Off Ground Tab	150 Pieces - 0.09 lbs. each

Patent Pending