

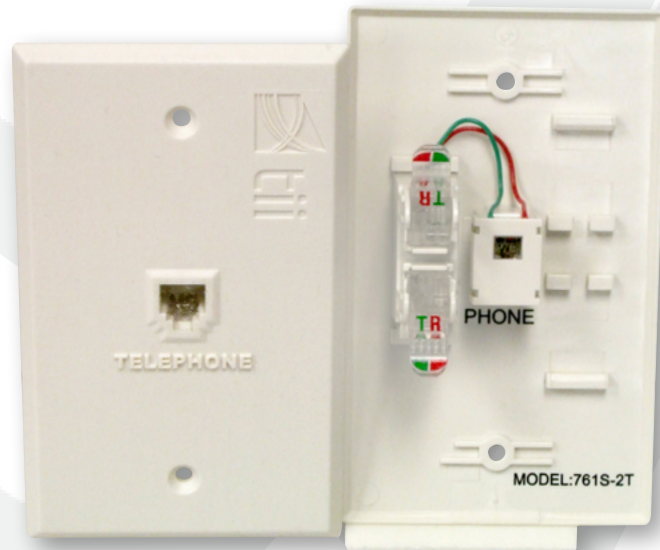
761T Series

*Flush Mount
Indoor
Phone Jack Plate
for Traditional
Telco Applications*

CPE/Premise Wiring

MDU

Utility/Municipality



761S-2T

The 761 Series flush mount indoor phone jack plate is designed to provide convenient RJ11 connectivity with IDC termination in the back and utilizes Tii's proprietary gel filled IDC rockers for wire terminations. The IDC rockers are color coded for tip and ring wire orientations. Termination of wires is easy as the wires do not need stripping. All one needs is to lift the rocker, straighten ends of the wire, insert and pull the rockers in fully down position.

KEY PRODUCT BENEFITS

- ▶ The 761 is a standard wall plate sized device and can be located at any telephone jack location
- ▶ Dual conductor gold plated RJ-11 jack for reliable RJ-11 connection
- ▶ Tool-less IDC rocker for telephone wire connections on the back side of jack plate
- ▶ All contacts are rated for 1.5 Amp max current
- ▶ IDC rockers are gel-filled for long term reliable connections

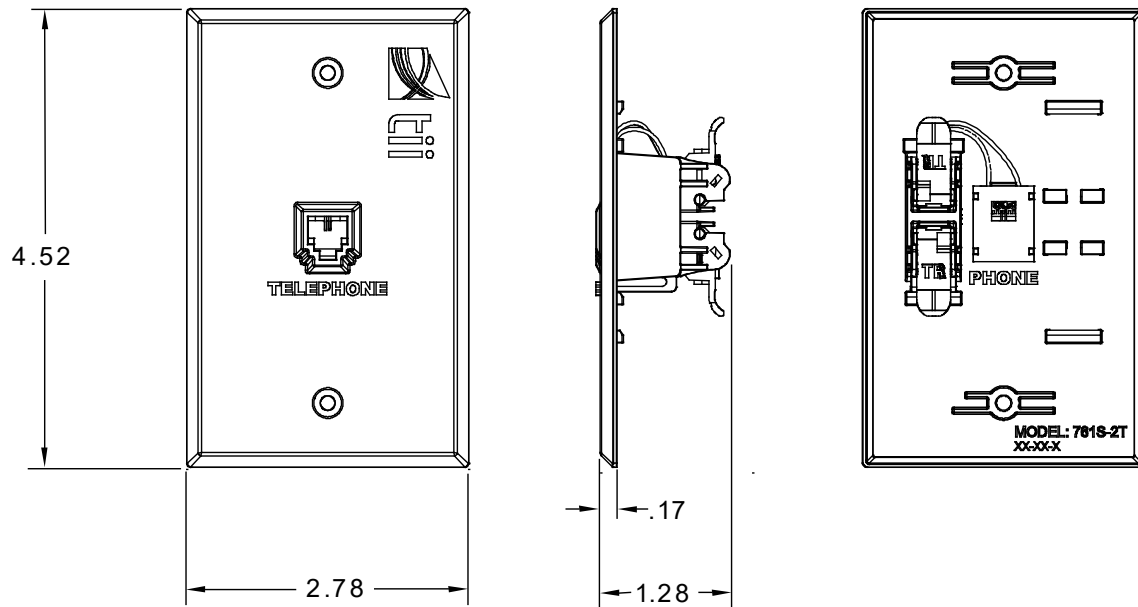


Tii Technologies Inc.

Corporate Headquarters:

141 Rodeo Drive
Edgewood, NY 11717
Phone: 631.789.5000
Fax: 631.789.5063
Toll Free: 888.844.4720
sales@tiitech.com

761T Series



Dimensions are in Inches

SPECIFICATIONS

Operating Voltage Range	40-60 Volts DC
Ringing Voltage	60-90 Volts AC
IDC Termination Gauge	#26-22
Operating Temperature	-40 to 60° C
Current Rating	1.5A Max.
Dielectric Withstand Voltage	1000 V Min.
Insulation Resistance	>100 Megohms
Contact Resistance	< 50 Megohms

ORDERING INFORMATION

Model No.	Description
761()-1T	Wall Plate with a Single RJ-11 Jack and a Singer Rocker Assembly
761()-2T	Wall Plate with a Single RJ-11 Jack and a Dual Rocker Assembly
761()-3T	Wall Plate with Dual RJ-11 Jacks and a Single Rocker Assembly
761()-4T	Wall Plate with Dual RJ-11 Jacks and a Dual Rocker Assembly
761()-5T	Wall Plate with Dual RJ-11 Jacks and 2 Single Rocker Assemblies
761()-6T	Wall Plate with Dual RJ-11 Jacks and 2 Dual Rocker Assemblies
761-1T-14	Wall Plate with Single RJ-14 Jack and 2 Single Rocker Assemblies

Please insert "S" in place of ()
S designates a sealed RJ-11 jack