

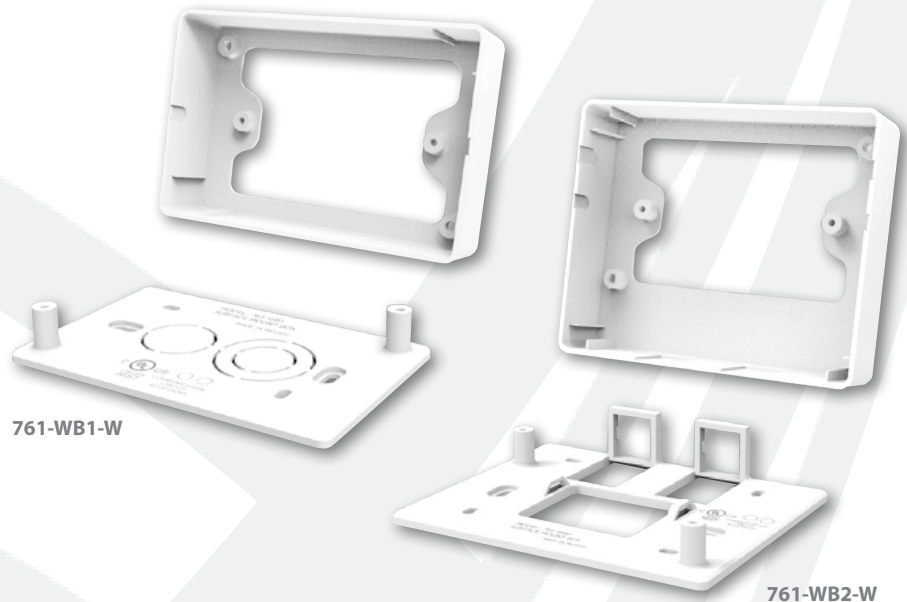
# 761-WB1-W 761-WB2-W

## Surface Mount Wall Boxes

CPE/Premise Wiring

MDU

Utility/Municipality



761-WB1-W and 761-WB2-W surface mount boxes are designed to enable surface mounting of any standard wall jack. These boxes provide various mounting and wire entry options to simplify and speed a standard wall jack installation. Model 761-WB1-W allows direct mounting of a single standard wall jack, Model 761-WB2-W additionally provides knockouts for two Suttle SpeedStar™ compatible snap-in modules.

### KEY PRODUCT BENEFITS

- ▶ Enables surface mounting of any standard wall jack for retrofit applications
- ▶ Two mounting holes for direct attachment to drywall
- ▶ Two mounting holes for attachment to standard gang box
- ▶ Oversized profile to cover irregular or damaged openings in wall
- ▶ Multiple rear knockouts for rear wire entry
- ▶ Symmetrical top and bottom knockouts for wire entry from standard wall jack modules in NID
- ▶ Knockout provisions cannot be seen externally when left in place
- ▶ Integrated strain relief features for Cat5e entry wire
- ▶ Model 761-WB2-W provides knockouts for two Suttle SpeedStar™ compatible snap-in modules with adequate space for Cat5e and Coax bend radius management
- ▶ Simple and fast installation using only a screwdriver
- ▶ Flame retardant thermoplastic

### INDUSTRY STANDARDS

- ▶ Telcordia TR-NWT-001334, Generic Requirements for Modular Connecting Block
- ▶ TIA/EIA/IS-968
- ▶ Listed to UL 1863

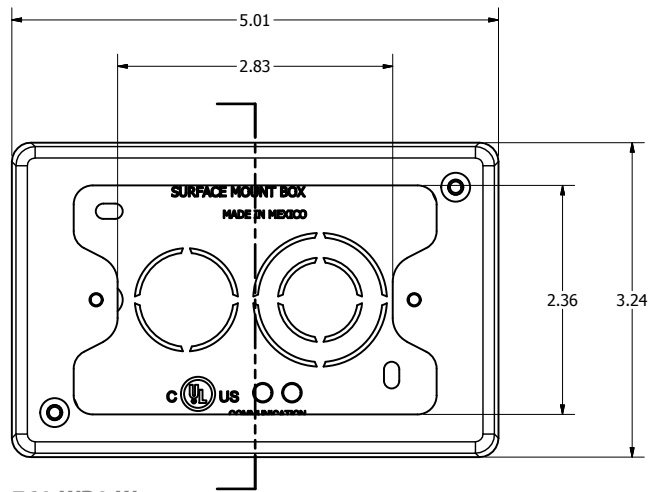


**Tii Technologies Inc.**

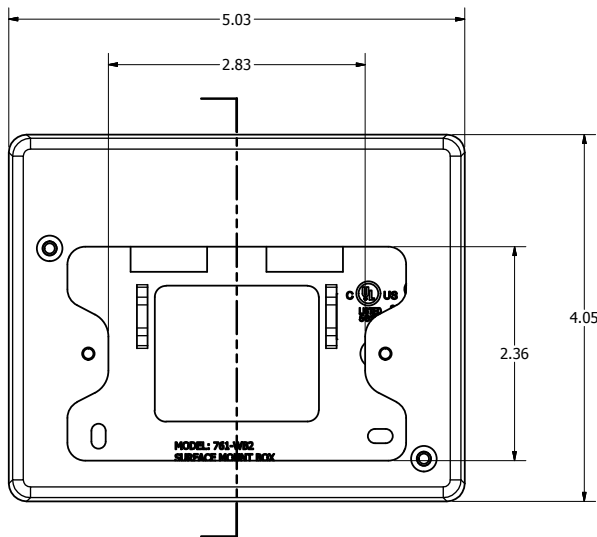
**Corporate Headquarters:**

141 Rodeo Drive  
Edgewood, NY 11717  
Phone: 631.789.5000  
Fax: 631.789.5063  
Toll Free: 888.844.4720  
sales@tiitech.com

# 761-WB1-W / 761-WB2-W



761-WB1-W



761-WB2-W

Dimensions are in Inches

## SPECIFICATIONS

	761-WB1-W	761-WB2-W
<b>Dimensions (WxHxD)</b>	5.01" x 3.24" x 1.05"	5.03" x 4.05" x 1.05"
<b>Unit Weight</b>	0.15 lbs	0.2 lbs

## ORDERING INFORMATION

Model No.	Description
<b>761-WB1-W</b>	Wall Box
<b>761-WB2-W</b>	Wall Box with Suttle SpeedStar™ Knockouts