

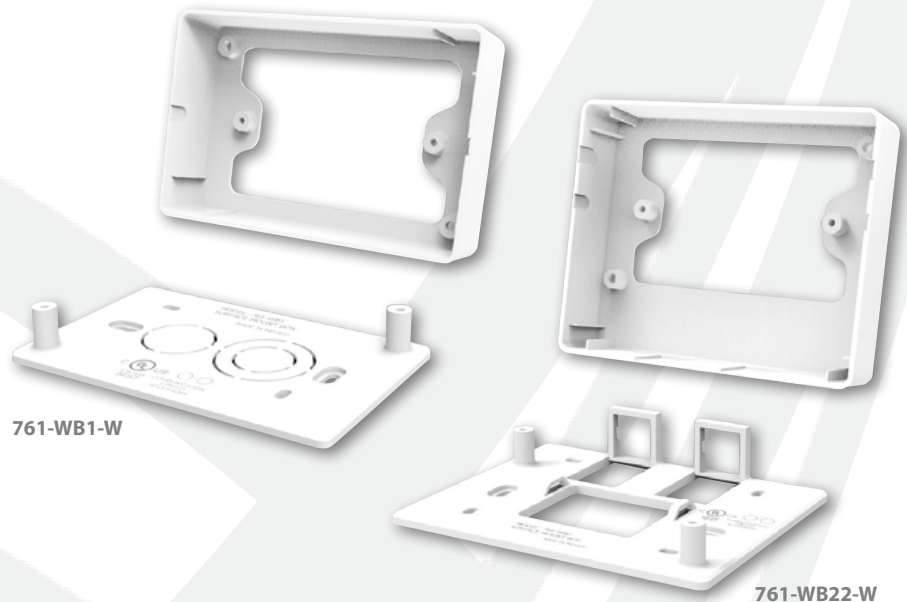
761-WB1-W 761-WB22-W

Surface Mount Wall Boxes

CPE/Premise Wiring

MDU

Utility/Municipality



761-WB1-W and 761-WB22-W surface mount boxes are designed to enable surface mounting of any standard wall jack. These boxes provide various mounting and wire entry options to simplify and speed a standard wall jack installation. Model 761-WB1-W allows direct mounting of a single standard wall jack, Model 761-WB22-W additionally provides knockouts for two Suttle SpeedStar™ compatible snap-in modules.

KEY PRODUCT BENEFITS

- ▶ Enables surface mounting of any standard wall jack for retrofit applications
- ▶ Two mounting holes for direct attachment to drywall
- ▶ Two mounting holes for attachment to standard gang box
- ▶ Oversized profile to cover irregular or damaged openings in wall
- ▶ Multiple rear knockouts for rear wire entry
- ▶ Symmetrical top and bottom knockouts for wire entry from standard wall jack modules in NID
- ▶ Knockout provisions cannot be seen externally when left in place
- ▶ Integrated strain relief features for Cat5e entry wire
- ▶ Model 761-WB22-W provides knockouts for two Suttle SpeedStar™ compatible snap-in modules with adequate space for Cat5e and Coax bend radius management
- ▶ Simple and fast installation using only a screwdriver
- ▶ Flame retardant thermoplastic

INDUSTRY STANDARDS

- ▶ Telcordia TR-NWT-001334, Generic Requirements for Modular Connecting Block
- ▶ TIA/EIA/IS-968
- ▶ Listed to UL 1863

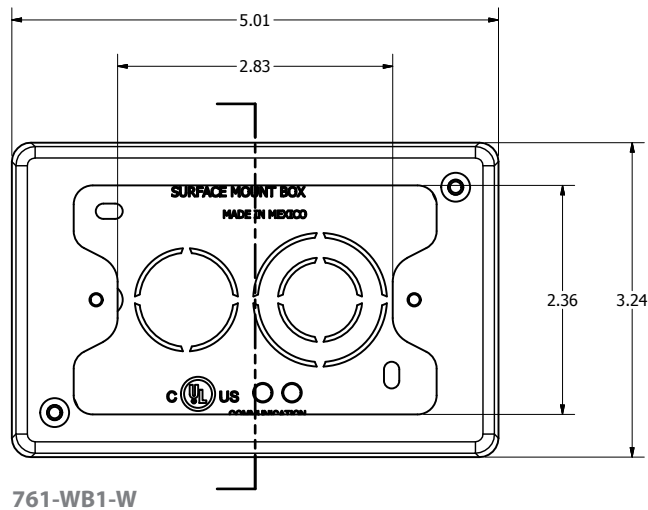


Tii Technologies Inc.

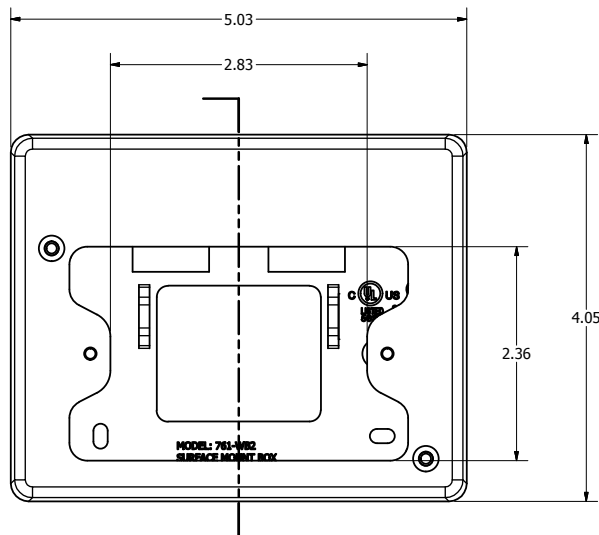
Corporate Headquarters:

141 Rodeo Drive
Edgewood, NY 11717
Phone: 631.789.5000
Toll Free: 888.844.4720
sales@tiitech.com

761-WB1-W / 761-WB22-W



761-WB1-W



761-WB22-W

Dimensions are in Inches

SPECIFICATIONS

	761-WB1-W	761-WB22-W
Dimensions (WxHxD)	5.01" x 3.24" x 1.05"	5.03" x 4.05" x 1.05"
Unit Weight	0.15 lbs	0.2 lbs

ORDERING INFORMATION

Model No.	Description
761-WB1-W	Wall Box
761-WB22-W	Surface Mount Wall Gang Box B (White) w/ Knockouts, and 2 ea. Blank Inserts

INFORMATION CONTAINED IN THIS PUBLICATION IS PROVIDED ONLY FOR YOUR CONVENIENCE AND IS SUBJECT TO CHANGE WITHOUT NOTICE. TII TECHNOLOGIES MAKES NO REPRESENTATIONS OR WARRANTIES OF ANY KIND WHETHER EXPRESS OR IMPLIED, WRITTEN OR ORAL, STATUTORY OR OTHERWISE, RELATED TO THE INFORMATION, INCLUDING BUT NOT LIMITED TO ITS CONDITION, QUALITY, PERFORMANCE, MERCHANTABILITY OR FITNESS FOR PURPOSE; AND TII TECHNOLOGIES DISCLAIMS ALL LIABILITY ARISING FROM THE USE OF THIS INFORMATION.