

VIS-2

Voice Intercom Switch with Porting Switch

CPE/Premise Wiring

MDU

Utility/Municipality



VIS-2

The VIS-2 Voice Intercom Switch provides number porting and seamless connection of customer premise telephones to either a digital voice service or to door answering systems (DAS)/intercom calls in multiple dwelling units (MDUs).

When the customer telephone line is not in use, a ringing signal on the DAS/intercom line is detected and connected to the premise telephones. Connection to the DAS/intercom is established when the customer telephone is taken off hook. A dropped DAS/intercom call or placing the telephone back on hook terminates the DAS/intercom call, and the VIS-2 automatically restores the digital voice service connection to the premise telephone wiring.

If the customer telephone is in use when the DAS/intercom rings, a double beep (similar to a call waiting tone) is injected on to the digital voice line to alert the user of an incoming DAS/intercom call. The user is then able to tap the flash key on the phone handset to place the original call on hold and pick up the DAS/intercom call. Another tap/flash after completion of the DAS/intercom call will initiate the switch back to the original call that was on hold.

The VIS-2 is initially installed in the intercom state. A blinking red LED indicates that the device is in the intercom state. The switch to digital voice is activated by the second appearance of digital voice ringing voltage. Once the digital voice voltage is detected the VIS-2 will remain in the digital voice mode until the next intercom call is received. A blinking green LED indicates that the device is in the digital voice mode.

KEY PRODUCT BENEFITS

- ▶ Can be located next to the existing intercom connection
- ▶ Customer is able to attend to intercom calls while using digital voice service
- ▶ Eliminates the need for separate telephone sets to answer intercom calls
- ▶ Red/Green LED status indicator lights easily identify mode of operation

INDUSTRY STANDARDS

- ▶ Listed to UL1863

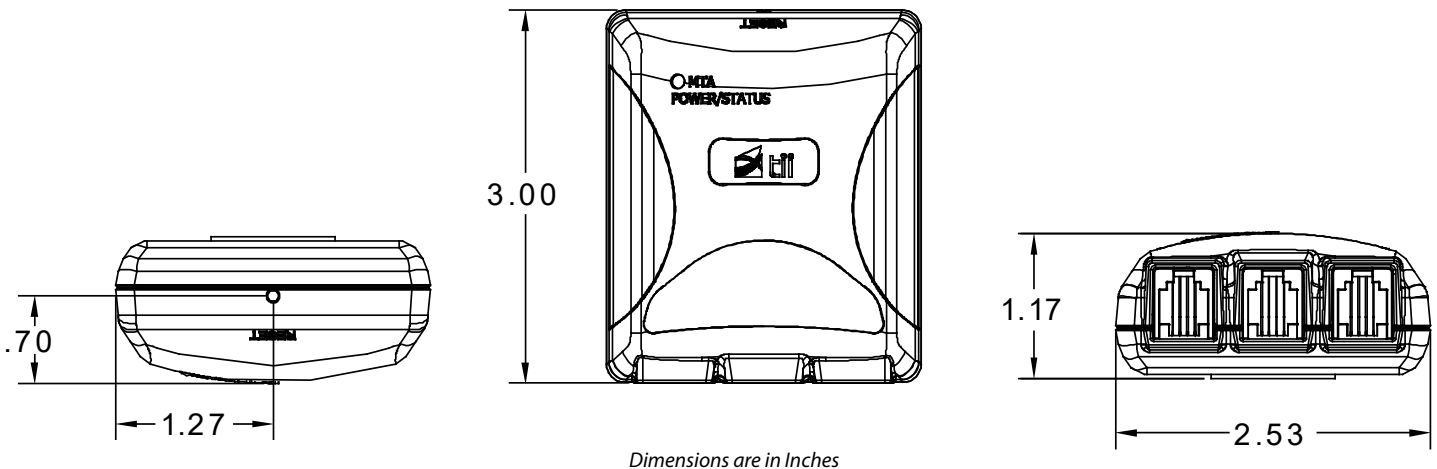


Tii Technologies Inc.

Corporate Headquarters:

141 Rodeo Drive
Edgewood, NY 11717
Phone: 631.789.5000
Fax: 631.789.5063
Toll Free: 888.844.4720
sales@tiitech.com

VIS-2



SPECIFICATIONS

Operating Voltage Range	40-60 Volts DC
Ringling Voltage	60-90 Volts AC
Operating Current (from VoIP Line)	< 3 mA
Intercom Ring Signal Delay	< 50 ms
Operating Temperature	-40 to 60° C

ORDERING INFORMATION

Model No.	Description	Standard Pkg.
VIS-2	Voice Intercom Switch, Pin 2 and 3 are Intercom Inputs with Telephone Output on Pin 2 and 3 and Intercom Inputs on Pins 1 and 4 of Intercom Jack	20 pieces - 0.1875 lbs. per unit