

SVN Series

Switchable Voice NID

CPE/Customer Premise

MDU

Utility/Municipality



SVN-1-1

The Switchable Voice NID (SVN) contains a circuit that provides seamless switching from Telco service to digital phone service. The second ringing voltage appearance on the digital phone service initiates the switch over. The SVN utilizes gel-sealed insulation displacement terminations that provide reliable all weather connectivity. Flashing green LED indicates EMTA power is reaching SVN.

KEY PRODUCT BENEFITS

- ▶ The SVN is suitable for indoor/outdoor applications and can be located next to the existing telephone Network Interface Device
- ▶ The switching circuitry is contained within a snap-in switchable voice module (SVM) and is available as a standalone device which may be universally mounted
- ▶ The customer is not without telephone service during number portability process
- ▶ Eliminates additional truck roll costs by automatically switching service provider connections when ring signals are detected from the MTA
- ▶ Allows faster revenue capture by immediately switching from the incumbent service provider when a ported number is available
- ▶ Reset feature allows the SVN to be restored to its initial configuration
- ▶ Secondary telephone line surge protection is provided to reduce the risk of damage to MTAs, telephones and other connected equipment
- ▶ Flashing green LED indicates EMTA power

INDUSTRY STANDARDS

- ▶ Listed to UL 1863
- ▶ FCC Part 68 registered

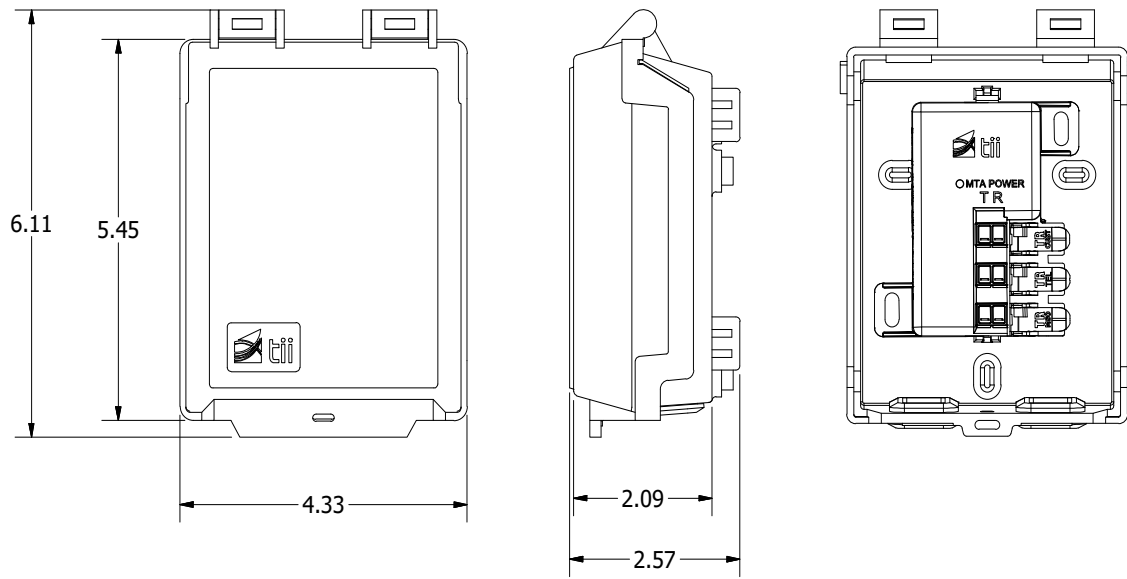


Tii Technologies Inc.

Corporate Headquarters:

141 Rodeo Drive
Edgewood, NY 11717
Phone: 631.789.5000
Fax: 631.789.5063
Toll Free: 888.844.4720
sales@tiitech.com

SVN Series



Dimensions are in Inches

SPECIFICATIONS

Operating Voltage Range	40-60 Volts DC
Ringing Voltage	60-90 Volts AC
Turn on Current	12 ma
Operating Current	< 3 ma
IDC Termination Gauge (2 inputs, 1 output)	#26-22
Operating Temperature	- 40 to 60° C
Switch Reset*	Momentary Push Button
SURGE PROTECTION	
Clamping Voltage	270-350 Volts
Surge Life: 100 A (50 A each side) 10/100 μ s	100 Operation Min.
Surge Life: 10 A (10 A both sides) 10/1000 μ s	1500 Operation Min.
Input to Output Resistance	8-14 ohms
Over Current Protection Trip Level	150 ma Min.

Patent Pending

ORDERING INFORMATION

SVN-1	-X	Standard Pkg.
	0 = None	20 pieces, .70 lbs. each
	1 = Jumper Kit	

ACCESSORIES

Model No.	Description
02097901	Jumper Kit consists of 3' coil of outdoor 2-pair (4 conductor) telco wire; two clips for securing the jumper to the house siding; two 1/4" hex head speed screws
SVM	Switchable Voice Module