

## SVM-2-P SVM-4-P

### Multi-line Switchable Voice Module

CPE/Premise Wiring

MDU

Utility/Municipality



SVM-2-P

SVM-4-P

The Switchable Voice Module (SVM) provides seamless switching from Telco service to digital phone service. The second ringing voltage appearance on the digital phone service initiates the switch over. The SVM utilizes gel-sealed insulation displacement terminations that provide reliable all weather connectivity.

Multiple Dwelling Unit SVMs can be ordered in a 2 and 4 line configuration.

#### KEY PRODUCT BENEFITS

- ▶ Suitable for indoor as well as outdoor applications, and can be located next to the existing telephone distribution block
- ▶ The customer is not without telephone service during the number portability process
- ▶ Eliminates additional truck roll costs by automatically switching connections when ring signals are detected from the alternate service provider
- ▶ Allows faster revenue capture by immediately switching from the incumbent service provider when a ported number is available
- ▶ Reset feature allows the SVM to be restored to its initial configuration
- ▶ Secondary telephone line surge protection is provided to reduce the risk of damage to MTAs, telephones and other connected equipment

#### INDUSTRY STANDARDS

- ▶ Listed to UL 1863



**Tii Technologies Inc.**

**Corporate Headquarters:**

141 Rodeo Drive  
Edgewood, NY 11717

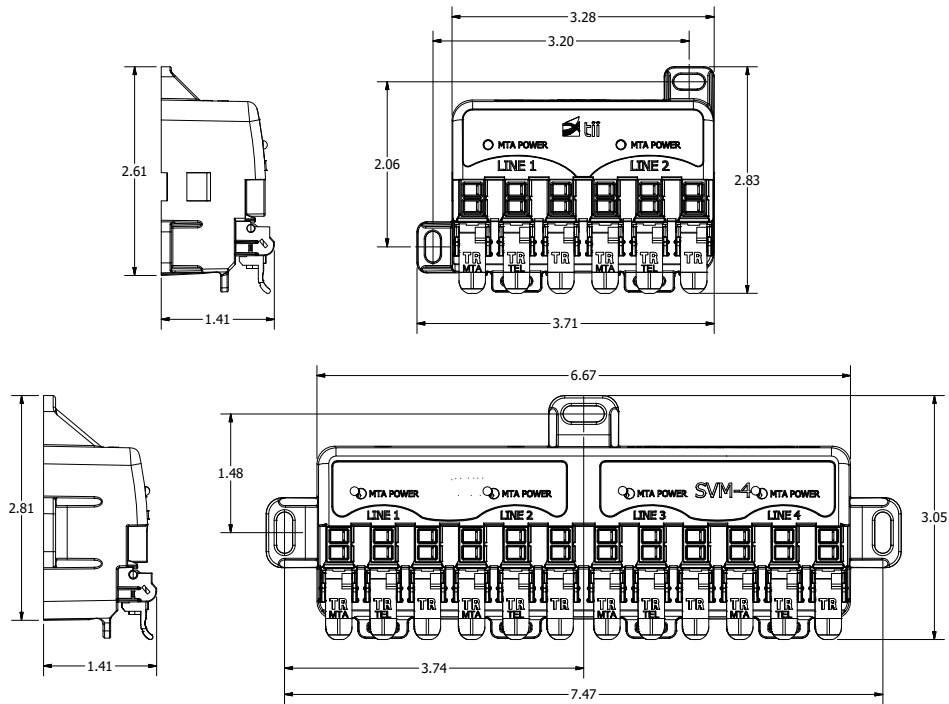
Phone: 631.789.5000

Fax: 631.789.5063

Toll Free: 888.844.4720

sales@tiitech.com

# SVM-2-P | SVM-4-P



Dimensions are in Inches

## SPECIFICATIONS

Operating Voltage Range	40-60 Volts DC
Ringing Voltage	60-90 Volts AC
Turn on Current	12 ma
Operating Current	< 3 ma
IDC Termination Gauge (2 inputs, 1 output)	#26-22
Operating Temperature	-40 to 60° C
Switch Reset*	Momentary Push Button

### SURGE PROTECTION (optional)

Clamping Voltage	270-350 Volts
Surge Life: 100 A (50 A each side) 10/100 $\mu$ s	100 Operation Min.
Surge Life: 10 A (10 A both sides) 10/1000 $\mu$ s	1500 Operation Min.
Input to Output Resistance	8-14 ohms
Over Current Protection Trip Level	150 ma Min.

\* Reset is disabled during ringing - SVN (MTA Rocker) needs to be powered to reset.

Patent Pending

## ORDERING INFORMATION

SVM	-X	-X	
	Series	Protection	Standard Pkg.
	2 = Two Line	P = Protection	SVM-2-P 20 pieces, 0.6 lbs. each
	4 = Four Line		SVM-4-P 10 pieces, 1.2 lbs. each