

## 69M-2S

*Sealed  
Wire Terminal  
with Home Security  
Connections*

CPE/Premise Wiring

MDU

Utility/Municipality

Wireless

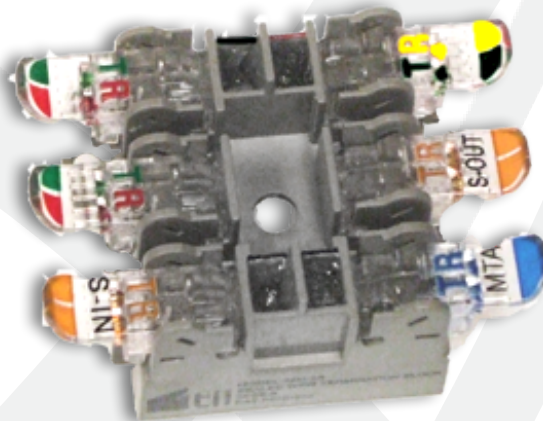


**Tii Technologies Inc.**

**Corporate Headquarters:**

141 Rodeo Drive  
Edgewood, NY 11717  
Phone: 631.789.5000  
Fax: 631.789.5063  
Toll Free: 888.844.4720  
sales@tiitech.com

www.tiitech.com



69M-2S

The 69M-2S Series is designed for applications requiring more than one parallel connection to a single pair service. This product is an ideal fit for Voice Over Internet Protocol (VoIP) networks.

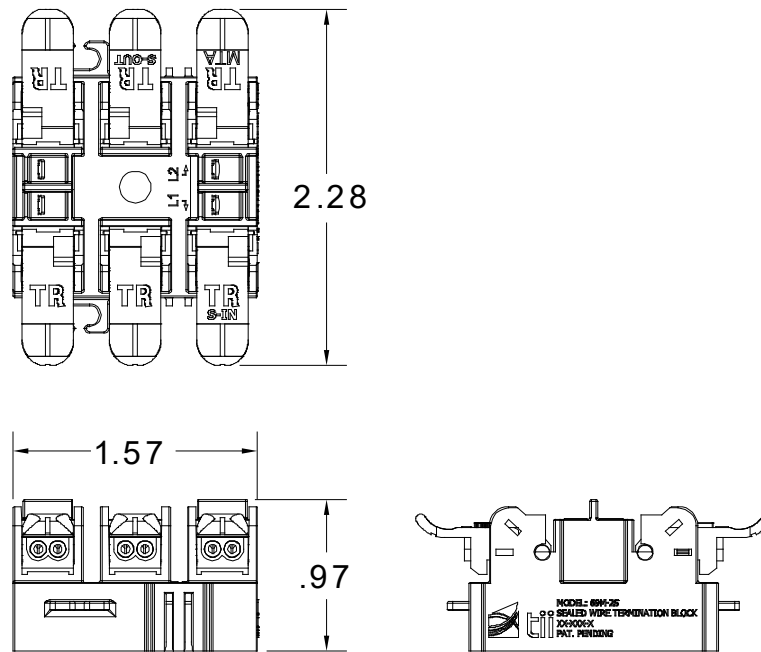
### KEY PRODUCT BENEFITS

- ▶ Incorporates integral sealed test points – no additional loose test clips required
- ▶ Accommodates multiple extension connections for one line VoIP (or POTS) signals
- ▶ Terminations are made to gel-sealed insulation displacement contacts (IDC) by means of convenient tool-less rocker assemblies. Wire stripping is not required.
- ▶ Compact, low profile design fits into applications where space is limited
- ▶ Accepts 26 through 22 gauge solid conductor wire sizes
- ▶ Provides inference connection points for security systems. Each connection is identified for proper wiring
- ▶ Main circuit consists of one pair input from the security output, and three parallel outputs
- ▶ Home security circuit consists of an incoming digital voice service output, and an output to security system input pair
- ▶ May be mounted via screw to a flat surface or installed with in a TII indoor/outdoor wire terminal housing

### INDUSTRY STANDARDS

- ▶ Listed to cUL and UL 1863
- ▶ CAT6 Compliant

# 69M-2S



Dimensions are in Inches

## ORDERING INFORMATION

Model No.	Description
69M-2S	1 Pair Input, 3 Parallel Pair Output, Sealed Wire Terminal with Security System Bypass