

## AD-02W-FS

### VDSL2-Compliant Sealed Station Protector

CPE/Premise Wiring

MDU

Utility/Municipality



AD-02W-FS

Tii's Angle Driver® AD-02W-FS is specifically designed to protect tomorrow's high-speed digital networks, such as Voice Over Digital Subscriber Line (VoDSL) technology, against damage caused by electrical surges.

#### KEY PRODUCT BENEFITS

- ▶ Optimal performance for IPTV video over DSL due to low line to ground capacitance, providing significantly better DSL Insertion Loss than most competitive products
- ▶ The AD-02W-FS consists of a heavy duty three-electrode gas tube surge arrester, failshort device and gel-sealed IDC (Insulation Displacement Connection) type connectors for terminating all wires in one completely self-contained unit
- ▶ IDC connections require no stripping of the wire insulation for terminating
- ▶ Module has two ports for small-gauge (22 – 26 AWG) wire terminations and two ports designed for either 18.5 AWG "F drop" or 19 – 24 AWG copper wire for tip/ring connections, all of which are environmentally sealed
- ▶ May be employed in a variety of single and multiple pair Network Interface and station protector housings
- ▶ Can be used to retrofit/service upgrades of assemblies already installed in the field
- ▶ Unique, universal ground tab can be snapped off to allow for multiple mounting arrangements

#### INDUSTRY STANDARDS

- ▶ Fully compatible and exceeds the transmission requirements of Telcordia specification GR-974-CORE for high-speed digital networks
- ▶ The AD-02W-FS complies with the "no back-up device" section of Telcordia GR-1361-CORE and has been fully tested by Telcordia and meets the temperature aging and cycling performed at a modified (increased severity) 150Vdc bias for protectors deployed in DSL applications. The resulting lower capacitance and increased reliability make the protector an excellent choice for Digital Subscriber Line (DSL) applications, as it exceeds the transmission requirements for high-speed digital networks
- ▶ Surge handling and life capabilities of the Angle Driver® AD-02W-FS meet the objectives of Telcordia GR-1361-CORE
- ▶ Angle Driver® AD-02W-FS meets the requirements of Section 5, "Environmental Requirements, Severe Climatic Conditions" and Section 6.2 "Environmental, Severe Climatic and Flooded Conditions" of Telcordia GR-49-CORE Issue 2, "Generic Requirements for Outdoor Telephone NIDs."
- ▶ Meets Environmental Sealing Requirements of Telcordia TR-NWT-000975
- ▶ Meets Generic Requirements For IDC Cross-Connect & Terminal Blocks of Telcordia TR-NWT-001195
- ▶ Listed to UL 497

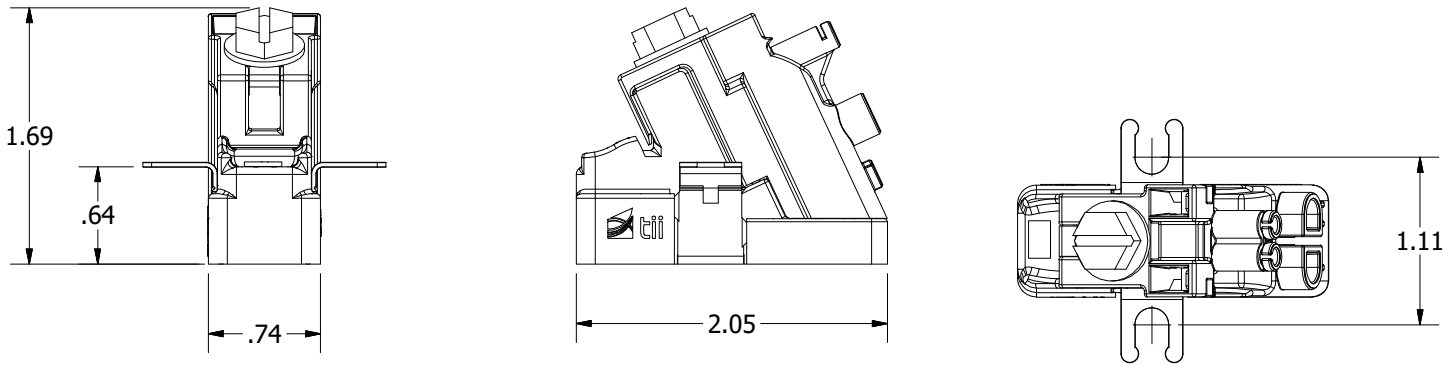


**Tii Technologies Inc.**

**Corporate Headquarters:**

141 Rodeo Drive  
Edgewood, NY 11717  
Phone: 631.789.5000  
Fax: 631.789.5063  
Toll Free: 888.844.4720  
sales@tiitech.com

# AD-02W-FS



Dimensions are in Inches

## SPECIFICATIONS

DC Breakdown Voltage @ 2000 V/sec	300 – 500 Vdc
*Impulse Breakdown voltage @ 100V/μsec @ 1KV/μsec	600V Maximum, 500V Typical 750V Max
Insulation Resistance @50Vdc, 10mA:	100 Megohms Minimum
Impulse Reset: 135Vc@200mA	<150 mS
Maximum Single Impulse Discharge Current, 8/20 waveform:	20kA 10kA/Side Simultaneously
Capacitance	10 pF Typical (L-G)
Aging, Temperature/Humidity Cycling with Surge	150 V DC Bias
Insertion Loss 0.2 – 30MHz	<.1dB
Return Loss @ 30MHz	>15dB
Impulse Life: 10Amp,10/1000μsec waveform: 100Amp,10/1000μsec waveform: 300Amp,10/1000μsec waveform: *500Amp	1500 Surges Minimum 100 Surges Minimum 50 Surges Minimum 500 Surges Minimum
AC Discharge Current 10Amp, 1 Second: 1Amp, 1 Second: **11 cycles, 60Hz: 130A (65A each side to ground simultaneously)	20 Operations Minimum 60 Operations Minimum 1 Operation Minimum
*Test Method IEEE 465.1	**RUS PE-80

## ORDERING INFORMATION

Model No.	Description
AD-02W-FS	Heavy Duty Totel Failsafe® TFS® Gel-Sealed Station Protector With Snap-Off Ground Tab