

# 365

## Protector Units

CPE/Premise Wiring

DOT

MDU

Utility/Municipality

Wireless



365

365 Protector Units are designed as direct field replacements for carbon or other gas tube protector assemblies in blocks with 1/2" -20 threaded wells.

### KEY PRODUCT BENEFITS

- ▶ Offers extended service life and consistent efficiency with minimal maintenance
- ▶ Both models consist of a Heavy-Duty two-electrode gas tube, fusible alloy pellet, airgap, protector cage and spring in a threaded shell
- ▶ Failsafe protection is provided in three ways:
  - 1) On transient surges the two-electrode gas tube operates quickly to shunt the surge to ground
  - 2) The airgap functions as a backup in the unlikely event that the gas tube seal is damaged
  - 3) The failshort mechanism shorts the line to ground in a power cross situation
- ▶ Tii gas tubes are constructed of selected metal alloy and ceramic materials to insure many years of dependable service
- ▶ The two-electrode gas tube provides low maintenance cost without the problems associated with carbon airgap protectors
- ▶ The sealed atmosphere in the gas tube assures fast and consistent responses with a stable breakdown voltage
- ▶ After a surge has passed, self-restoration is rapid and uniformly predictable

### INDUSTRY STANDARDS

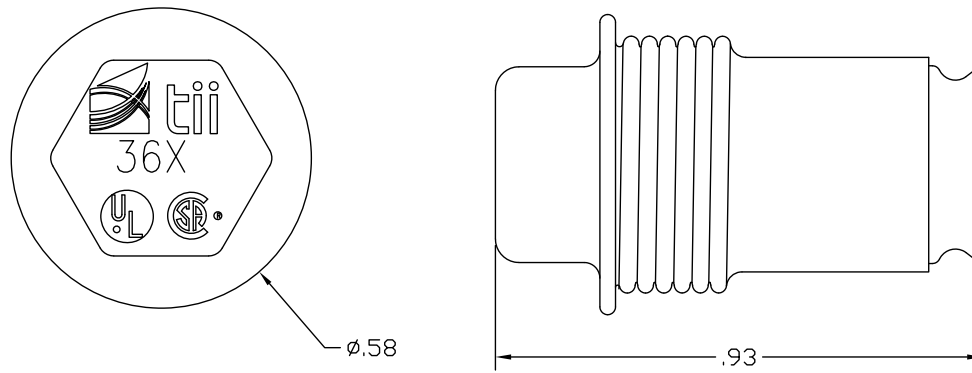
- ▶ Listed to UL 497
- ▶ Meets Telcordia GR-1361-CORE
- ▶ Tested to RUS PE-80



**Tii Technologies Inc.**

**Corporate Headquarters:**

141 Rodeo Drive  
Edgewood, NY 11717  
Phone: 631.789.5000  
Fax: 631.789.5063  
Toll Free: 888.844.4720  
sales@tiitech.com



Dimensions are in Inches

## SPECIFICATIONS

DC Breakdown Voltage:	265 - 600Vdc
Maximum Single Impulse Discharge Current, 8/20 waveform:	10kA
Line to Ground Impulse Voltage @: 100V/ $\mu$ sec	500V Typical 750V Maximum
Impulse Life - 500A, 10/1000: Waveform at one minute Intervals each direction:	1200V Maximum
Service Life:	
10Amp, 10/1000 waveform:	1500 Surges Minimum
100 Amp, 10/1000 waveform:	100 Surges Minimum
300 Amp, 10/1000 waveform:	50 Surges Minimum
2000 Amp, 1/250 waveform:	5 Surges Minimum
*Insulation Resistance	100 Megohms Minimum @100V DC
Capacitance	<30pF
Airgap Breakdown Voltage:	1500V DC Maximum
DC Holdover 150Vdc	Device extinguishes in <150 ms

## ORDERING INFORMATION

Model No.	Description	Standard Pkg.
365 (white top)	Protector Unit 1/2"-20	100 pieces - 0.015 lbs. each