

356 Series

*VDSL2 Compliant
Totel Failsafe®
TFS® Station
Protector Module*

CPE/Premise Wiring

MDU

Utility/Municipality

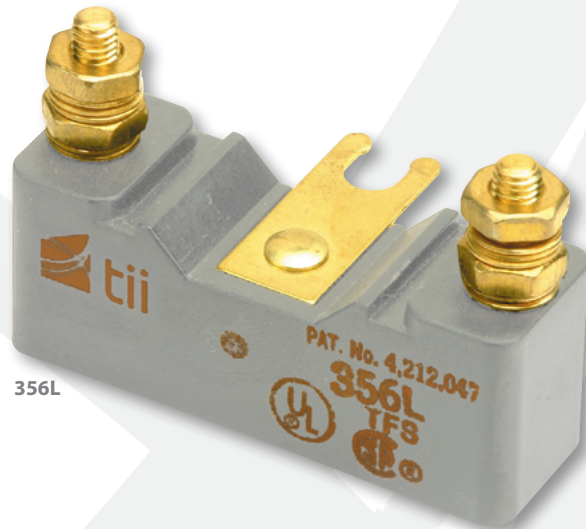


Tii Technologies Inc.

Corporate Headquarters:

141 Rodeo Drive
Edgewood, NY 11717
Phone: 631.789.5000
Fax: 631.789.5063
Toll Free: 888.844.4720
sales@tiitech.com

www.tiitech.com



Tii's Totel Failsafe® Station Protector Modules are the basic components of Tii Station Protectors, and the 356 VDSL2 Protector provides years of reliable protection against power surges and the damage they can cause.

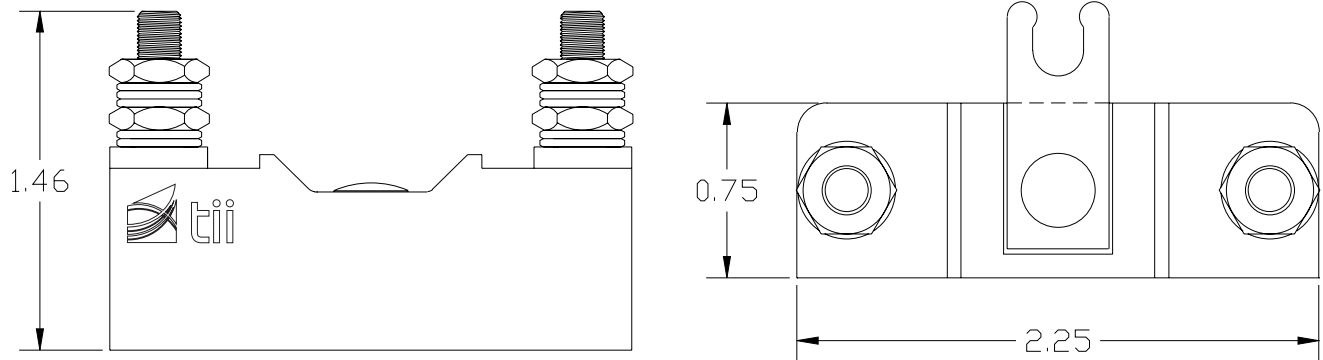
KEY PRODUCT BENEFITS

- ▶ VDSL2 Compliant up to 30 mHz
- ▶ 356 module is entirely self-contained and consists of a Tii Heavy Duty three-electrode gas tube surge arrester and a failshort mechanism.
- ▶ The entire assembly is completely encapsulated to prevent moisture entry and environmental contamination.
- ▶ Comes with a corrosion-resistant ground strap and two threaded binding posts for service wire and station wire connection.
- ▶ Surge protection is provided in three ways:
 - 1) The gas tube operates on overvoltage surges and shunts the transient to the ground.
 - 2) The failshort device operates under power cross conditions to permanently and safely ground the line.
 - 3) The backup airgap provides surge protection in the unlikely event the gas tube arrester vents.
- ▶ 356 module may be employed in a variety of single and multiple pair protector and NID assemblies.

INDUSTRY STANDARDS

- ▶ Listed to UL 497 in the Signal Circuit Protector category when mounted in a Tii station protector or network interface device (NID)
- ▶ Surge handling and life capabilities exceed the objectives of Telcordia Generic Requirement GR-1361 CORE

356 Series



Dimensions are in Inches

SPECIFICATIONS

DC Breakdown Voltage	265 - 600 VDC
DC Holdover: 5.25 v@260 ma 135 V@200 ma	< 150V msec
Maximum Single Impulse Discharge Current, 8/20 waveform	20 kA 10 kA/Side Simultaneously
Service Life	
10 Amp, 10/1000µsec waveform	1500 Surges Min.
100 Amp, 10/1000µsec waveform	100 Surges Min.
300 Amp, 10/1000µsec waveform	50 Surges Min.
AC Discharge Current	
10 Amp, 1 Second	5 Operations Min.
1 Amp, 1 Second	60 Operations Min.
*Capacitance	<30 pF
** Impulse Breakdown Voltage @ 100 V/µsec	500 V Typical 750 V Max.
*Insulation Resistance @ 100 vdc	100 Megohms Min.
*Line to Ground	
Test Method: IEEE 465.1, TELCORDIA GR-1361 CORE	

ORDERING INFORMATION

Model #	Description	Standard Pkg.
356L	VDSL2 Total Failsafe® TFS® Station Protector Module	50 pieces - 0.135 lbs. each
356LT	VDSL2 Total Failsafe® TFS® Station Protector Module with Tin-Plated Hardware	

*L designates a protector module meeting the specific Bell System requirements.

Patent No. 4,212,047

INFORMATION CONTAINED IN THIS PUBLICATION IS PROVIDED ONLY FOR YOUR CONVENIENCE AND IS SUBJECT TO CHANGE WITHOUT NOTICE. TII TECHNOLOGIES MAKES NO REPRESENTATIONS OR WARRANTIES OF ANY KIND WHETHER EXPRESS OR IMPLIED, WRITTEN OR ORAL, STATUTORY OR OTHERWISE, RELATED TO THE INFORMATION, INCLUDING BUT NOT LIMITED TO ITS CONDITION, QUALITY, PERFORMANCE, MERCHANTABILITY OR FITNESS FOR PURPOSE; AND TII TECHNOLOGIES DISCLAIMS ALL LIABILITY ARISING FROM THE USE OF THIS INFORMATION.