

127M

Heavy Duty Station Protector

CPE/Premise Wiring

DOT

MDU

Utility/Municipality

Wireless



127M

The Tii Total Failsafe® Protector Modules are the basic components of Tii station protectors, and are designed with complete subscriber and telco protection in mind.

KEY PRODUCT BENEFITS

- ▶ The 127M module consists of a Tii three-electrode heavy duty gas tube, a failshort mechanism, backup airgaps, an epoxy sealed shell with two #10 wiring studs and a ground strap
- ▶ The epoxy sealed internal components of the module are safeguarded against contamination and corrosion, a feature not found in screw-in type station protectors
- ▶ The Tii three-electrode gas tube is constructed of selected metal alloy and ceramic materials to ensure many years of dependable service
- ▶ Gas tube provides low maintenance cost without the problems normally associated with carbon airgap devices
- ▶ The sealed atmosphere in the gas tube assures fast and consistent responses with a stable breakdown voltage. After the surge has ended, self-restoration is quick and uniformly predictable
- ▶ May be employed in a variety of single and multiple pair protector assemblies and NIDs

INDUSTRY STANDARDS

- ▶ Listed to UL 497
- ▶ Meets Telcordia GR-1361-CORE
- ▶ When mounted in tii station protector or network interface device enclosures, the assembly is UL listed in the Signal Circuit Protector category
- ▶ UL listed as a stand-alone one- or two pair indoor station protector when it is mounted on Tii's B1 Mounting Adapter
- ▶ May also be used in other manufacturers' UL Listed Network Interface Devices (NIDs)

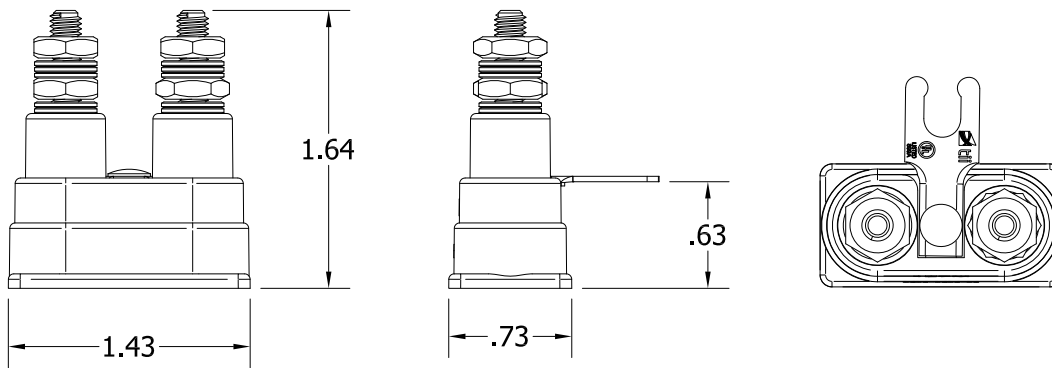


Tii Technologies Inc.

Corporate Headquarters:

141 Rodeo Drive
Edgewood, NY 11717
Phone: 631.789.5000
Fax: 631.789.5063
Toll Free: 888.844.4720
sales@tiitech.com

127M



Dimensions are in Inches

SPECIFICATIONS

DC Breakdown Voltage (L-G) @ 2000 v/sec	300 - 500Vdc
Impulse Reset: 150V @ 200 mA	<150mS
Maximum Single Impulse Discharge Current, 8/20 waveform:	20kA 10kA/Side Simultaneously
Impulse Life:	
10Amp, 10/1000µsec waveform:	1500 Surges Minimum
100Amp, 10/1000µsec waveform:	100 Surges Minimum
300Amp, 10/1000µsec waveform:	50 Surges Minimum
500Amp	500 Surges Minimum
AC Discharge Current	
10Amp, 1 Second:	5 Operations Minimum
1Amp, 1 Second:	60 Operations Minimum
**65A, 11 cycles	1 Operation
Capacitance:	<20pF
Impulse Breakdown voltage (L-G)	
@ 100V/µsec:	500V Typical, 600V Max
@ 1KV/µsec:	750V Max
Insulation Resistance	
@ 50Vdc, 10MA:	100 Megohms Minimum
Airgap Breakdown Voltage:	Meets Requirements of UL 497
Test Method: IEEE C62.31	**Test Method: IEEE, RUS PE-80

ORDERING INFORMATION

Model No.	Description
127M	Heavy Duty Totel Failsafe® TFS® Station Protector Module

Patent No. 5,224,011