

126 Series

Heavy Duty Total Failsafe® TFS® Station Protector Module

CPE/Premise Wiring

DOT

Headend/CO

MDU

Utility/Municipality

Wireless



Tii Technologies Inc.

Corporate Headquarters:

141 Rodeo Drive
Edgewood, NY 11717
Phone: 631.789.5000
Fax: 631.789.5063
Toll Free: 888.844.4720
sales@tiitech.com

www.tiitech.com



126L1

Tii's Total Failsafe® Station Protector Modules are the basic components of tii Station Protectors. Because the wiring terminals are an integral part of the protector module, the entire self-contained unit must be removed and replaced when it reaches its "end of life" condition. This ensures that the subscriber is always protected when connected to the service wire.

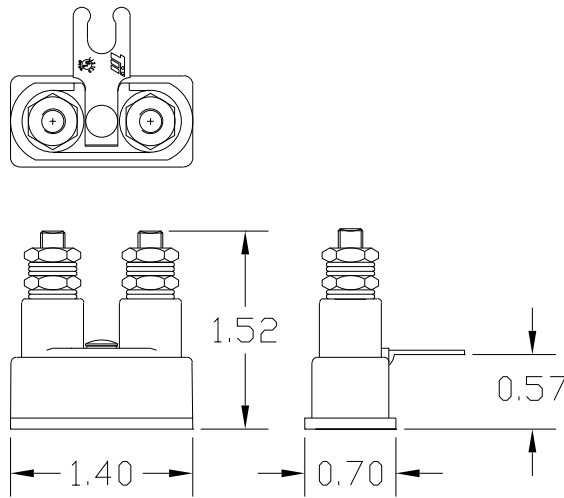
KEY PRODUCT BENEFITS

- ▶ The 126 consists of two Heavy Duty two-electrode tii gas tubes; a fail short mechanism in case of a power cross condition, backup airgaps, an epoxy filled shell with two #10 wiring studs and a ground strap
- ▶ The encapsulation of the internal components of the module safeguards against contamination and corrosion of the protection elements. This feature is not found in screw-in type station protectors.
- ▶ The module may be employed in a variety of single and multiple pair protector assemblies and network interface devices
- ▶ The heavy duty tii gas tube provides an extra level of protection compared to most two-electrode tubes in both life and current handling capacity
- ▶ The gas tube is constructed of selected metal alloy and ceramic materials to insure years of dependable service
- ▶ The gas tube provides low maintenance cost without the problems normally associated with carbon air gap devices
- ▶ The gas tube's sealed atmosphere assures fast and consistent responses with a stable breakdown voltage. After the surge has ended, self-restoration is quick and uniformly predictable.

INDUSTRY STANDARDS

- ▶ Listed to UL 497
- ▶ Meets Telcordia GR-1361-CORE, RUS PE-80

126 Series



Dimensions are in Inches

SPECIFICATIONS

126L1		126M	
DC Breakdown	265 – 600V	DC Breakdown	300 - 500V
Impulse Breakdown @100V/ μ s	750V Max – 500V	Impulse Breakdown @100V/ μ s	750V Max - 500V
@10KV/ μ s	1200V Max – 800V	@10KV/ μ s	1200V Max - 800V
Insulation Resistance @ 100V DC	>100 Megohms	Insulation Resistance @100V DC	>1000 Megohms
Service Life		Service Life	
10A, 10/1000 μ s waveform	1500 Surges	5000A, 10/1000 μ s waveform either polarity	400 Surges 600 Surges
100A, 10/1000 μ s waveform either polarity	100 Surges		
300A, 10/100 μ s waveform either polarity	50 Surges	AC Discharge, 11 Cycles	65A
Short Duration AC Life		Maximum Single	
1000V AC, 10A, 1 sec	5 Operations		
1000V AC, 1A, 1 sec	60 Operations		
Test Method: Telcordia GR-1361-CORE		Discharge Current μ s waveform	10kA
		DC Holdover	150V Minimum @
		Test Method: IEEE C62.31 - 1987, RUS-PE-8	

ORDERING INFORMATION

Model No.	Description
126L1	Two Electrode, Heavy Duty Protector Module
126M	Two Electrode, Heavy Duty Protector Module 300-500V dc Breakdown