

B1, 322 & 382

Module Adapters

CPE/Premise Wiring

DOT

Utility/Municipality



Tii Technologies Inc.

Corporate Headquarters:

141 Rodeo Drive
Edgewood, NY 11717

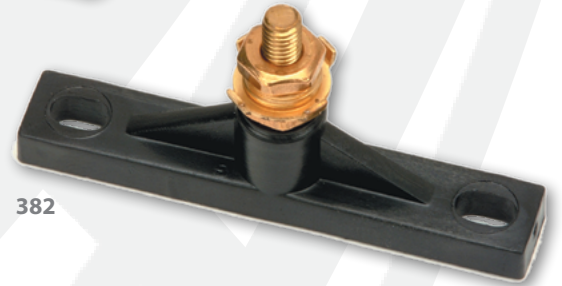
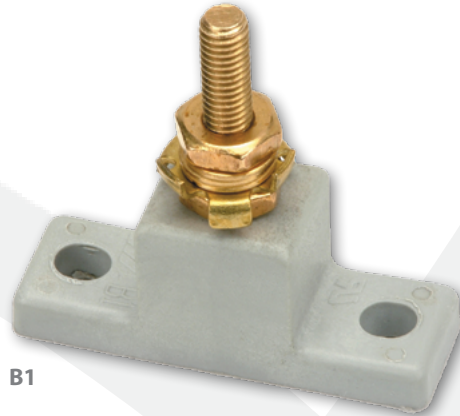
Phone: 631.789.5000

Fax: 631.789.5063

Toll Free: 888.844.4720

sales@tiitech.com

www.tiitech.com



When a station protector is used indoors, it can be mounted without a cover or other enclosure. Tii Module Adapters are designed to allow Tii's Protector Modules to be mounted in an indoor installation without a protective enclosure. Module Adapters can also be used in a wide variety of Network Interface Housings. The adapter mounts either one or two modules.

KEY PRODUCT BENEFITS

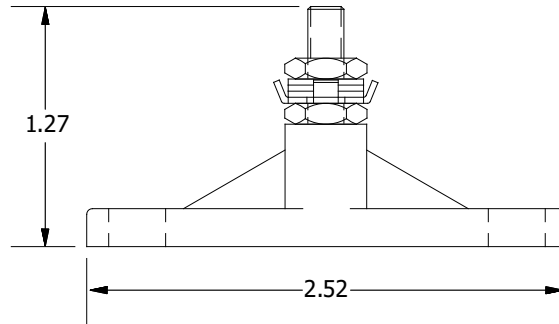
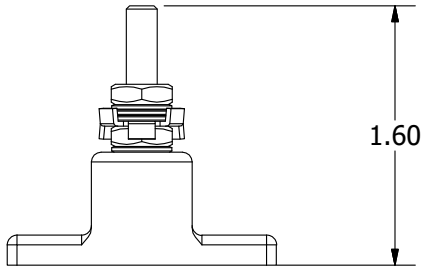
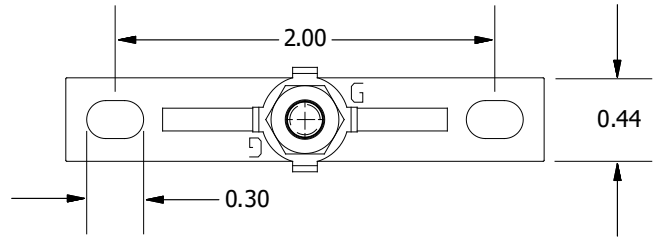
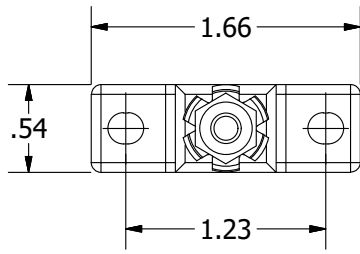
- ▶ Tii Module Adapters provide a UL listed indoor mounting arrangement for tii's protector modules without an enclosure.
- ▶ Adapters feature a sturdy thermoplastic base with a molded-in ground stud to anchor the modules and provide a ground point for the station ground wire and modules
- ▶ The adapters may be fastened to any suitable mounting surface by two-inch #8 screws

Note: though similar in appearance to the 382, the 322 module adapter is not suitable for indoor mounting of protector modules without an enclosure. It is not UL listed in that arrangement, but it is UL listed in a station protector and NID housings.

INDUSTRY STANDARDS

- ▶ UL Listed for indoor installations with no enclosure required
- ▶ UL Listed for outdoor installations in station protectors and NIDS

B1, 322 & 382



B1

322 & 382

Dimensions are in Inches

ORDERING INFORMATION

Model No.	Description	Standard Pkg.
B1	Mounting Adapter for Protector Modules	100 pieces - 0.45 lbs each
322	Mounting Adapter (for enclosure)	50 pieces - 0.035 lbs each
382	Mounting Adapter	50 pieces - 0.035 lbs each