

347 Series

Station Protectors

CPE/Premise Wiring

Headend/CO

Utility/Municipality



347-07-2-1

347 Series Station Protectors consist of one or two protector modules in a top-hinged enclosure with integral ground stud. They are engineered to provide the superior performance required in providing protection for today's technology.

KEY PRODUCT BENEFITS

- ▶ Enclosure is molded of durable, weather-resistant thermoplastic that resists cracking, crazing and discoloration
- ▶ A hinged cover is designed to fit securely to the base to provide maximum protection against environmental conditions and the intrusion of any foreign matter
- ▶ A captive nylon nut may be provided to give a degree of tamper proofing, and for easy installation and removal. The enclosure can be ordered without the captive insulated nut
- ▶ For added security, the cover can be sealed in the field with a tie wrap or similar device
- ▶ A flexible grommet in the base is provided to seal the wiring exit area, allowing room for drop, ground, and station wiring
- ▶ A threaded stud provides a common ground point for grounding and bonding the shield of buried drop, as well as securing one or two Tii protector modules and cover
- ▶ The 347 is available with a variety of protector modules with standard binding post termination or sealed IDC termination. This series is also available with sealed IDC cross-connect modules (non-protected).
- ▶ Tii station protectors may be ordered with one or two protector modules installed
- ▶ A one-pair station protector can be upgraded to a two-pair station protector simply by adding a second module. This saves both maintenance time and the need to add a second single-pair station protector.



Tii Technologies Inc.

Corporate Headquarters:

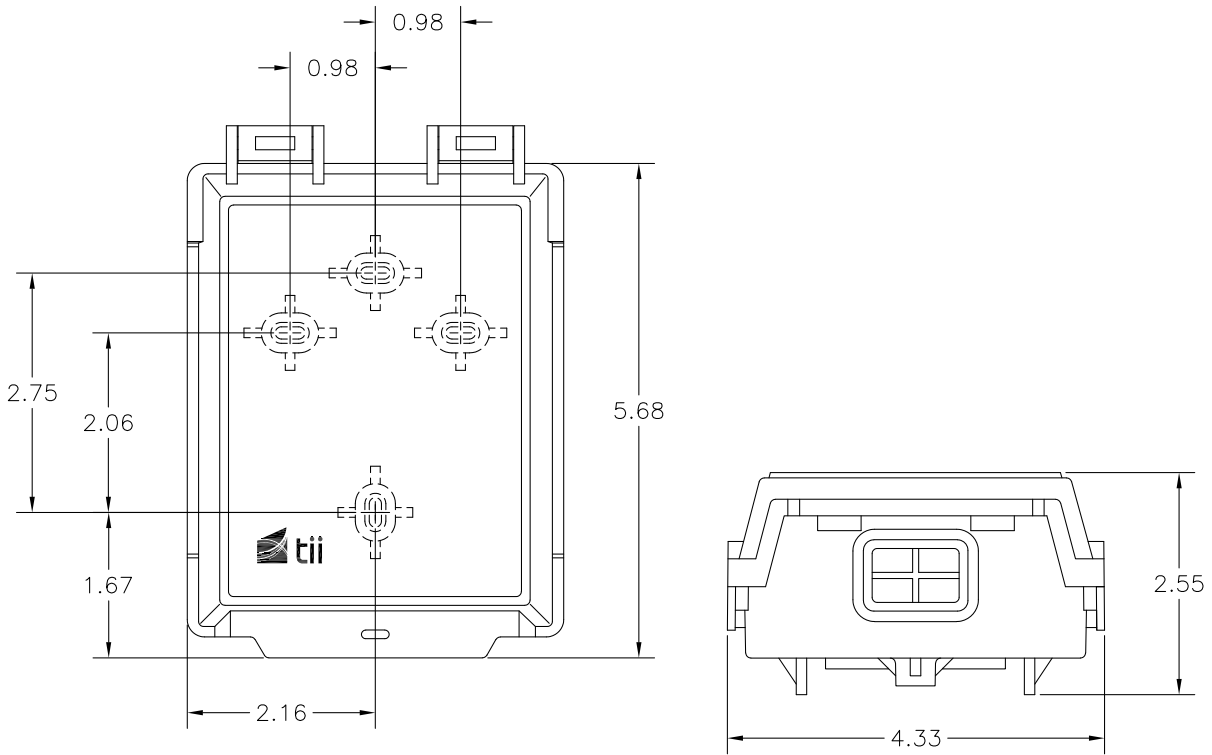
141 Rodeo Drive
Edgewood, NY 11717
Phone: 631.789.5000
Fax: 631.789.5063
Toll Free: 888.844.4720
sales@tiitech.com

www.tiitech.com

INDUSTRY STANDARDS

- ▶ Listed to UL 497

347 Series



Dimensions are in Inches

ORDERING INFORMATION

347	-XX	-X	-XX
	Station Protectors	Qty. of Modules	Cover Nut
	00 = No Protectors	0	1 = Without
	01 = 356L	1	
	02 = 356M1	2	
	07 = 355M		
	15 = 126M		
	17 = 126L1		
	22 = 122		
	50 = 355MT		
	51 = 127M		
	52 = 372-S2		
	53 = 356M2		
	54 = 356M3		
	70 = AD-01W		
	71 = AD-01W-FS		
	72 = AD-02W-FS		
	73 = AD-M2-W-FS		
	76 = AD-03W-FS		
	78 = AD-01W-LP		
	80 = ADX-L/R or W		

Standard Pkg. 20 pieces - 0.453 lbs. (Housing Only)

INFORMATION CONTAINED IN THIS PUBLICATION IS PROVIDED ONLY FOR YOUR CONVENIENCE AND IS SUBJECT TO CHANGE WITHOUT NOTICE. TII TECHNOLOGIES MAKES NO REPRESENTATIONS OR WARRANTIES OF ANY KIND WHETHER EXPRESS OR IMPLIED, WRITTEN OR ORAL, STATUTORY OR OTHERWISE, RELATED TO THE INFORMATION, INCLUDING BUT NOT LIMITED TO ITS CONDITION, QUALITY, PERFORMANCE, MERCHANTABILITY OR FITNESS FOR PURPOSE; AND TII TECHNOLOGIES DISCLAIMS ALL LIABILITY ARISING FROM THE USE OF THIS INFORMATION.