

315 Series

Outdoor Rated Station Protector

CPE/Premise Wiring

Headend/CO

Utility/Municipality



315-90-1

The 315 station protector consists of a Tii surge protector module in an outdoor rated utility enclosure, with molded in-ground stud.

KEY PRODUCT BENEFITS

- ▶ The 315 Utility Enclosure is molded of durable, weather-resistant thermoplastic that is made to resist cracking, crazing, and discoloration.
- ▶ Cover is designed to fit securely to the base to provide maximum protection against environmental conditions and the intrusion of any foreign matter.
- ▶ The base includes a flexible grommet to seal the wiring exit area, allowing room for drop, ground, and station wiring.
- ▶ A threaded stud provides a common ground point for grounding and bonding the shield of buried drop, and securing one or two Tii protector modules.
- ▶ Tii Station protectors are engineered to provide the superior performance required in protecting today's technology.
- ▶ The 315 comes equipped with the Tii Micro Angle Driver® 260V±10% three-electrode protector module installed

INDUSTRY STANDARDS

- ▶ Listed to UL 497

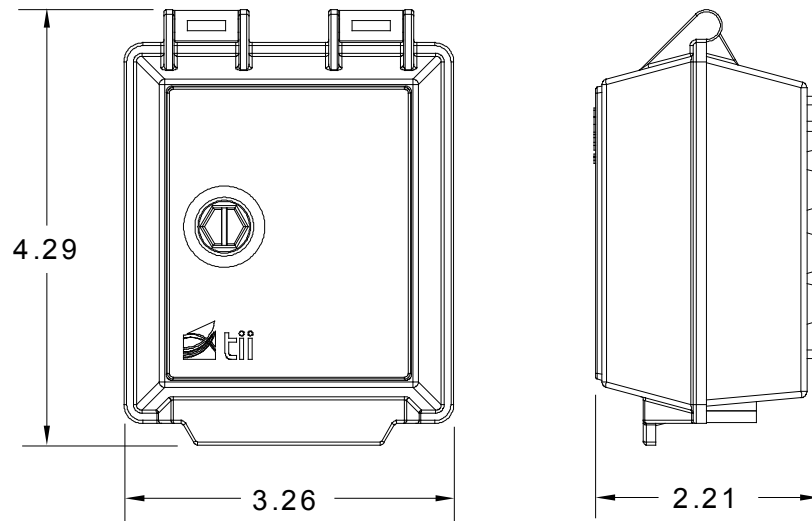


Tii Technologies Inc.

Corporate Headquarters:

141 Rodeo Drive
Edgewood, NY 11717
Phone: 631.789.5000
Fax: 631.789.5063
Toll Free: 888.844.4720
sales@tiitech.com

315 Series



Dimensions are in Inches

SPECIFICATIONS

DC Breakdown Voltage @ 100 V/sec (AD-06W-LP2, AD-07W-FS2)	260V \pm 10%, 230V \pm 20%
Impulse Breakdown Voltage @ 1KV/ μ s	\leq 750V
Insulation Resistance @ 100V DC	\geq 10G Ω
DC Holdover @ 135V	$<$ 150ms
Capacitance @ 1 KHz	\leq 3pF
AC Discharge Current 50HZ, 1 Second:	20A (per side 10A)
Impulse Current Life Test 10/1000 μ s, 300 Applications	200A Peak
8/20 μ s, 10 Applications	20KA peak (per side 10KA)
Fail-safe reaction time at 10A (per side 5A)	\leq 5sec

ORDERING INFORMATION

Model No.	Description
315-90-1	One Pair Station Protector with an AD-06W-LP2
315-91-1	One Pair Station Protector with an AD-07W-FS2