

512, 1512 Series

12 Pair, 5-Pin Building Entrance Protector Packs

CPE/Premise Wiring

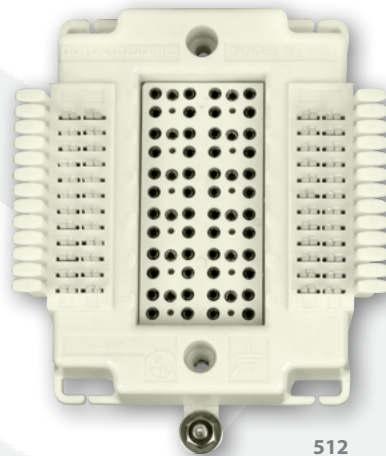
DOT

MDU

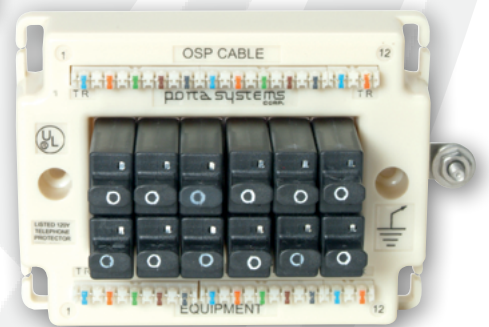
PON

Utility/Municipality

Wireless



512



1512GT

This twelve-pair, five-pin protector pack series is UL listed for primary/secondary protection and suitable for use at the customer premise demarcation point. Also used for runs between buildings in an industrial, commercial, or campus environment to protect communication networks.

KEY PRODUCT BENEFITS

- ▶ Utilizes industry standard 5-pin protector modules
- ▶ 512 features 66 IDC termination input/output
- ▶ 1512 features 110 IDC termination input/output
- ▶ High-impact, flame retardant thermoplastic
- ▶ Units can be cascaded to provide for expansion
- ▶ Compact, lightweight design

INDUSTRY STANDARDS

- ▶ UL 497 Listed for primary protection
- ▶ UL 497A & 497B Listed for secondary protection



Tii Technologies Inc.

Corporate Headquarters:

141 Rodeo Drive
Edgewood, NY 11717

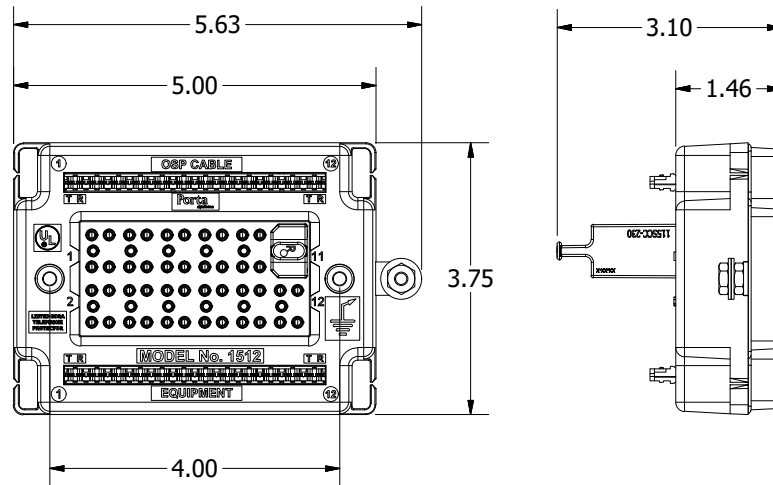
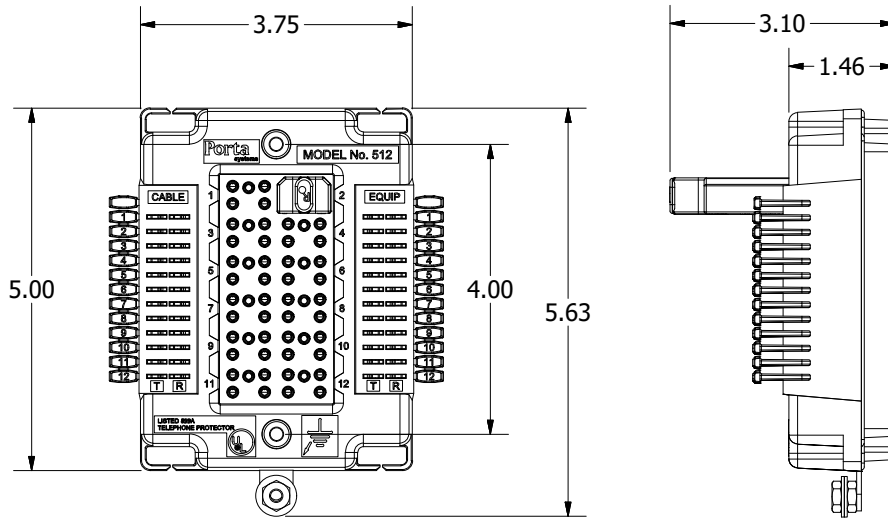
Phone: 631.789.5000

Fax: 631.789.5063

Toll Free: 888.844.4720

sales@tiitech.com

512, 1512 Series



Dimensions are in inches

SPECIFICATIONS

	Dimensions (height x width x depth)	Weight (approx.)
512	5.6" x 3.75" x 3.3" (14.2 cm x 9.5 cm x 8.2 cm)	2 lbs.
1512	3.75" x 5.6" x 3.3" (9.5 cm x 14.2 cm x 8.2 cm)	

ORDERING INFORMATION

Model #	Pair Count	Input	Output	Modules	Module Model#
512	12	66	66	None	N/A
512GT*	12	66	66	350V Gas Tube	175-3C1EW-NL
512SS240	12	66	66	240V Solid State	115-6C1FSC-N
1512	12	110	110	None	N/A
1512GT*	12	110	110	350V Gas Tube	175-3C1EW-NL
1512SS240	12	110	110	240V Solid State	115-6C1FSC-N

*Stock item

INFORMATION CONTAINED IN THIS PUBLICATION IS PROVIDED ONLY FOR YOUR CONVENIENCE AND IS SUBJECT TO CHANGE WITHOUT NOTICE. TII TECHNOLOGIES MAKES NO REPRESENTATIONS OR WARRANTIES OF ANY KIND WHETHER EXPRESS OR IMPLIED, WRITTEN OR ORAL, STATUTORY OR OTHERWISE, RELATED TO THE INFORMATION, INCLUDING BUT NOT LIMITED TO ITS CONDITION, QUALITY, PERFORMANCE, MERCHANTABILITY OR FITNESS FOR PURPOSE; AND TII TECHNOLOGIES DISCLAIMS ALL LIABILITY ARISING FROM THE USE OF THIS INFORMATION.