

# 175-, 75-

## Gas Tube Protector Series

CPE/Premise Wiring

Headend/CO

Utility/Municipality

Wireless



Tii gas tube modules are dependable plug-in devices that guard sensitive telecommunications systems from dangerous voltage surges. The gas tube utilizes a three-element design. This prevents destructive line-to-line over voltages, protecting PBXs and key systems in a way that conventional two-element gas tubes cannot.

These low capacitance gas tube protector modules provide premium protection for sensitive data communication equipment to frequencies up to 100MHz. The modules include heat activated fail-safe mechanism that provides additional protection against power crosses. Test points allow easy test access to the outside plant.

### KEY PRODUCT BENEFITS

- ▶ Available in 5 pin and 1 pin configuration
- ▶ Designed for line protection for sensitive voice and data equipment
- ▶ Protection for high-speed digital systems operating up to 100MHz
- ▶ Balanced three-electrode design
- ▶ Extends equipment life
- ▶ Protects personnel

### INDUSTRY STANDARDS

- ▶ Listed to UL 497 for Primary Protection
- ▶ Telcordia GR-974

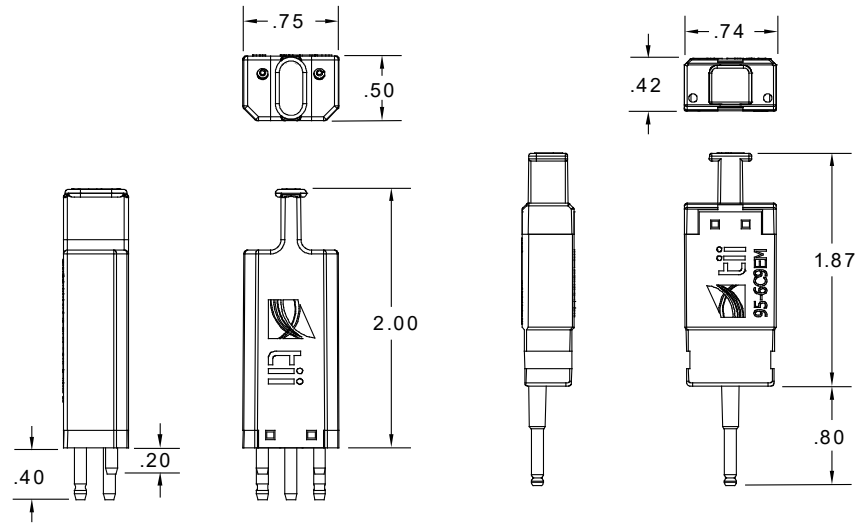


**Tii Technologies Inc.**

**Corporate Headquarters:**

141 Rodeo Drive  
Edgewood, NY 11717  
Phone: 631.789.5000  
Fax: 631.789.5063  
Toll Free: 888.844.4720  
sales@tiitech.com

# 175-, 75- Series



Dimensions are in Inches

## SPECIFICATIONS

	350 Volt	Test Parameters
DC Breakdown Voltage	280-420V	2000V/Sec max
Impulse Breakdown Voltage	<1000V	100V/ $\mu$ Sec max
Capacitance	<10 pF	1 MHz, 0 VDC
Fail-safe Operation	100 Sec @ 0.5A 50 Sec @ 1.0A 15 Sec @ 5.0A 10 Sec @ 20.0A	
Line Series Resistance	NA	Line in/ Line Out
Maximum Single Surge	24kA	8/20 $\mu$ Sec max
Insulation Resistance (minimum)	100M $\Omega$	50 VDC 100VDC
DC Holdover:		
52V	260mA	<150 mSec max
135V	200mA	to extinguish
150V	140mA	

## ORDERING INFORMATION

Model No.	Description
75-3C1EW-N	350V, Single Pin Protector Module with Black Body with Test Points
175-3C1EW-NL	350V, 5-Pin Protector Module with 2" Black Body with Test Points
175-3B1EW-NL	350V, 5-Pin Protector Module with 2" Black Body without Test Points

\* Remove (-N) for Gold Pins.