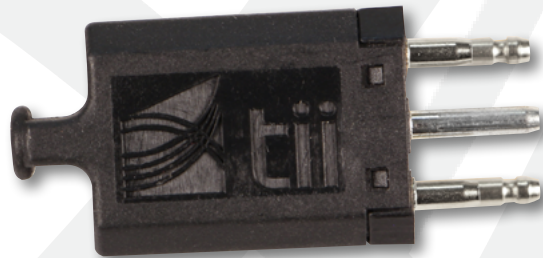


175-3B1E-400-NSW

High Voltage 5-Pin Gas Tube Protector

Wireless



175-3B1E-400-NSW

Tii gas tube modules are dependable plug-in devices that guard sensitive telecommunications systems from dangerous voltage surges. The gas tube utilizes a three-element design. This prevents destructive line-to-line over voltages, protecting PBXs and key systems in a way that conventional two-element gas tubes cannot.

These low capacitance gas tube protector modules provide premium protection for sensitive data communication equipment to frequencies up to 100MHz. The modules include heat activated fail-safe mechanism that provides additional protection against power crosses.

KEY PRODUCT BENEFITS

- ▶ Designed to support +/-190VDC line powered applications
- ▶ 5-pin configuration
- ▶ Protects sensitive voice and data equipment
- ▶ Protection for high-speed digital systems operating up to 100MHz
- ▶ Balanced three-electrode design
- ▶ Extends equipment life & protects personnel

INDUSTRY STANDARDS

- ▶ Listed to UL 497 for Primary Protection
- ▶ Telcordia GR-974

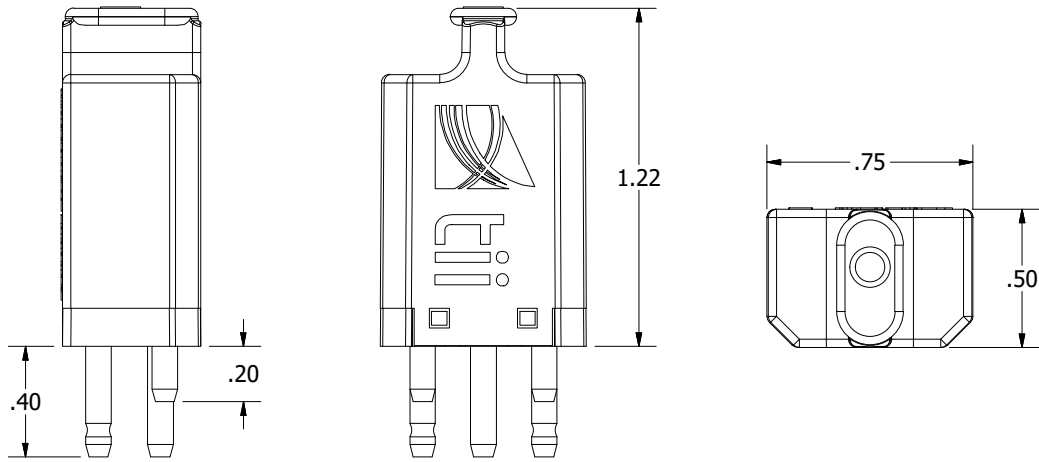


Tii Technologies Inc.

Corporate Headquarters:

141 Rodeo Drive
Edgewood, NY 11717
Phone: 631.789.5000
Fax: 631.789.5063
Toll Free: 888.844.4720
sales@tiitech.com

175-3B1E-400-NSW



Dimensions are in Inches

SPECIFICATIONS

	Value	Test Parameters
DC Line to GND Breakdown Voltage	320-480V	2000V/Sec max
DC Line to Line Breakdown Voltage	>450V	2000V/Sec max
Impulse Breakdown Voltage	<1000V	100V/μSec max
Capacitance	<10 pF	1 MHz, 0 VDC
Fail-safe Operation	100 Sec @ 0.5A	
	50 Sec @ 1.0A	
	15 Sec @ 5.0A	
	10 Sec @ 20.0A	
Line Series Resistance	< 1 Ohm	Line in/ Line Out
Maximum Single Surge	24kA	8/20 μSec max
Insulation Resistance (minimum)	100MΩ	50 VDC
		100VDC
DC Holdover:		
52V	260mA	<150 mSec max to extinguish
135V	200mA	
150V	140mA	

ORDERING INFORMATION

Model No.	Description
175-3B1E-400-NSW	400V, 5-Pin Protector Module, Short 1.22" Black Body, no Test Points