

173- 73- Series

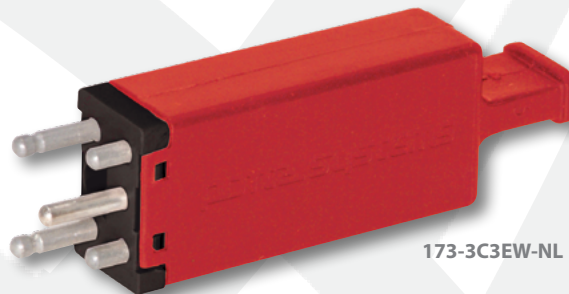
1-Pin and 5-Pin Gas Tube Protector Modules

CPE/Premise Wiring

Headend/CO

Utility/Municipality

Wireless



173-3C3EW-NL

Tii gas tube modules are dependable plug-in devices that guard sensitive telecommunications systems from dangerous voltage surges. The gas tube utilizes a three-element design. This prevents destructive line-to-line over voltages, protecting PBXs and key systems in a way that conventional two-element gas tubes cannot.

The modules include heat activated fail-safe mechanism that provides additional protection against power crosses. Test points allow easy test access to the outside plant.

KEY PRODUCT BENEFITS

- ▶ Designed for line protection for sensitive voice and data equipment
- ▶ Balanced three-electrode design
- ▶ Extends equipment life
- ▶ Protects personnel

INDUSTRY STANDARDS

- ▶ Listed to UL 497 for Primary Protection
- ▶ Telcordia GR-974

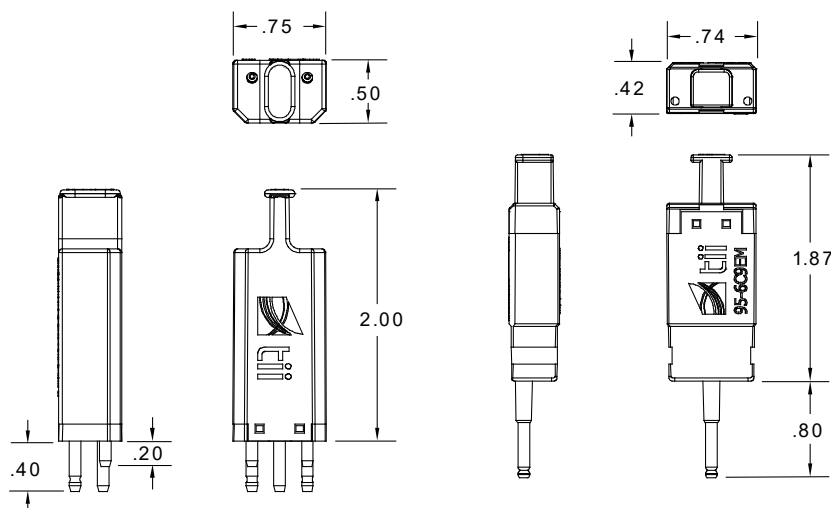


Tii Technologies Inc.

Corporate Headquarters:

141 Rodeo Drive
Edgewood, NY 11717
Phone: 631.789.5000
Fax: 631.789.5063
Toll Free: 888.844.4720
sales@tiitech.com

173, 73 Gas Tube Protector Series



Dimensions are in Inches

SPECIFICATIONS

| | 350 Volt | Test Parameters |
|---------------------------------|--|---------------------|
| DC Breakdown Voltage | 280-420V | 2000V/Sec max |
| Impulse Breakdown Voltage | <1000V | 100V/ μ Sec max |
| Capacitance | 10 pF | 1 MHz, 0 VDC |
| Fail-safe Operation | 100 Sec @ 0.5A 50 Sec @ 1.0A 15 Sec @ 5.0A 10 Sec @ 20.0A | |
| Line Series Resistance | NA | Line in/ Line Out |
| Maximum Single Surge | 24kA | 8/20 μ Sec max |
| Insulation Resistance (minimum) | 100M Ω | 50 VDC 100VDC |
| DC Holdover: | | |
| 52V | 260mA | <150 mSec max |
| 135V | 200mA | to extinguish |
| 150V | 140mA | |
| Operating Temperature | -40° C to +65° C | |

ORDERING INFORMATION

| Model No. | Description |
|--------------|---|
| 73-3C3EW-N | 350V, Single Pin Protector Module with Red Body with Test Points |
| 173-3C3EW-NL | 350V, 5-Pin Protector Module with 2" Red Body with Test Points |
| 173-3B3EW-NL | 350V, 5-Pin Protector Module with 2" Red Body without Test Points |

* Remove (-N) for Gold Pins.