

## 95S Series

### Sealed Customer Bridge Modules (CBM)

CPE/Premise Wiring

DOT

MDU

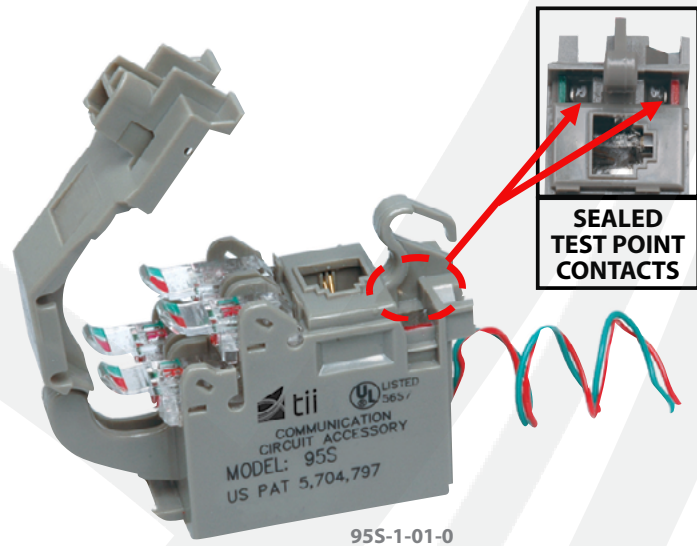
Utility/Municipality



Tii Technologies Inc.

**Corporate Headquarters:**

141 Rodeo Drive  
Edgewood, NY 11717  
Phone: 631.789.5000  
Fax: 631.789.5063  
Toll Free: 888.844.4720  
sales@tiitech.com



The superior performing 95S Customer Bridge Module is a sealed, environmentally protected unit designed to be compatible with the full line of broadband Network Interface Devices, including the 3700, 3600, 5100, 5200, 5300 and the 9600.

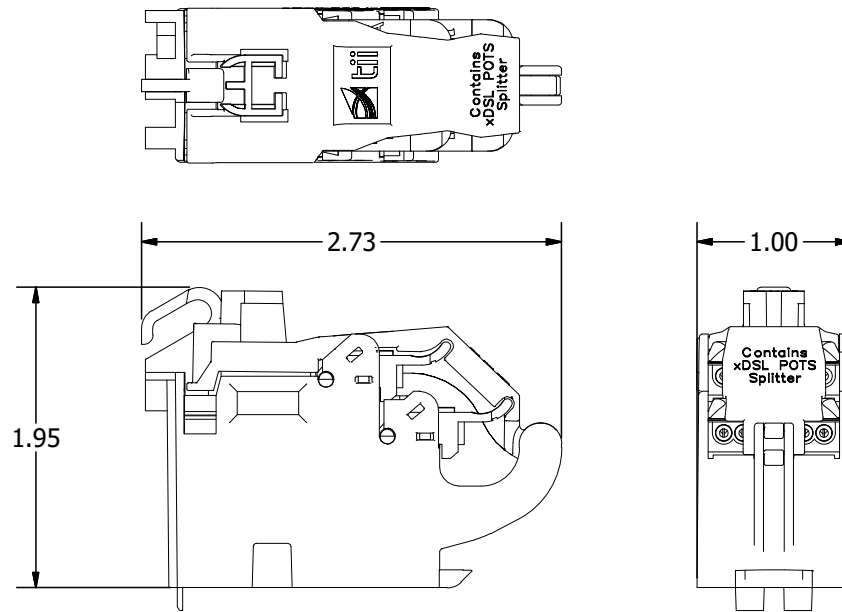
#### KEY PRODUCT BENEFITS

- ▶ Internal connections and the RJ-11 jack are protected from moisture and other contaminants
- ▶ Customer wire connections utilize gel-sealed IDC (Insulation Displacement Connection) terminations which accept 22 AWG thru 26 AWG solid copper wire
- ▶ Includes four sealed IDC customer connection ports, with each port independently terminating one tip and ring pair
- ▶ Each customer pair can be terminated without disturbing previous connections
- ▶ Convenient rocker feature enables customer to terminate inside wire without the use of tools
- ▶ Clear IDC rockers enable easy visual connection verification
- ▶ Includes Tii's unique patented Auto-Jack® assembly, which replaces the standard RJ-11 plug as the point of demarcation in tii NIDs, effectively eliminating a major point of failure in the outside plant network
- ▶ The tii Customer Bridge Module is designed with gel-sealed test ports which can accommodate a standard hand telephone test set with alligator type clips
- ▶ Standard features include customer locking with telco bypass and hinged cover

#### INDUSTRY STANDARDS

- ▶ Telcordia third party tested
- ▶ Meets "Severe and Flooded" requirements of Telcordia GR-49 CORE and TR-NWT-001195
- ▶ Exceeds Telcordia GR-49 CORE requirements for severe climatic conditions
- ▶ Listed to UL 1863

# 95S Series



Dimensions are in Inches

## ORDERING INFORMATION

**95S-1**

**-XX**

**-X**

**Electronics**

**Telco Termination**

- 00 = None
- 01 = 1/2 Ringer
- 08 = RFI Filter
- 01/08 = Combination 1/3 ringer and RFI Filter

- 0 = Wire Leads Without Terminal Lugs
- 1 = Wire Leads with #10 Terminal Lugs