

95 Series

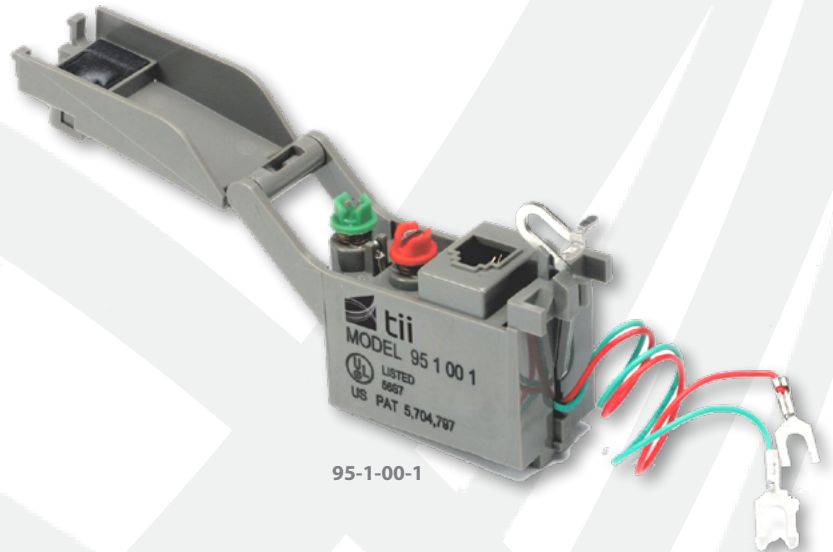
Customer Bridge Modules (CBMs)

CPE/Premise Wiring

DOT

MDU

Utility/Municipality



95 Customer Bridge Modules (CBMs) are durable, environmentally protected units designed to be used in the full line of tii's Network Interface Devices.

KEY PRODUCT BENEFITS

- ▶ Constructed of superior materials designed to withstand harsh indoor and outdoor environment such as UV degradation, chemical exposure, cold temperatures and moisture - even in severe cases
- ▶ Superior performing Customer Bridge Module includes tii's Auto-Jack® RJ-11 plug, which exceeds Telcordia requirements for first and second level power surges, resulting in unsurpassed performance
- ▶ Customer terminations utilize insulated hex/slotted screws
- ▶ Accepts standard RJ-11 plug for customer troubleshooting
- ▶ Can be retrofitted into Tii's Network Interface Devices, making it possible to field upgrade most standard service line modules already installed
- ▶ Includes such standard features as customer locking with telco bypass and hinged cover
- ▶ Modular design also accommodates half ringers and RFI filter circuits

INDUSTRY STANDARDS

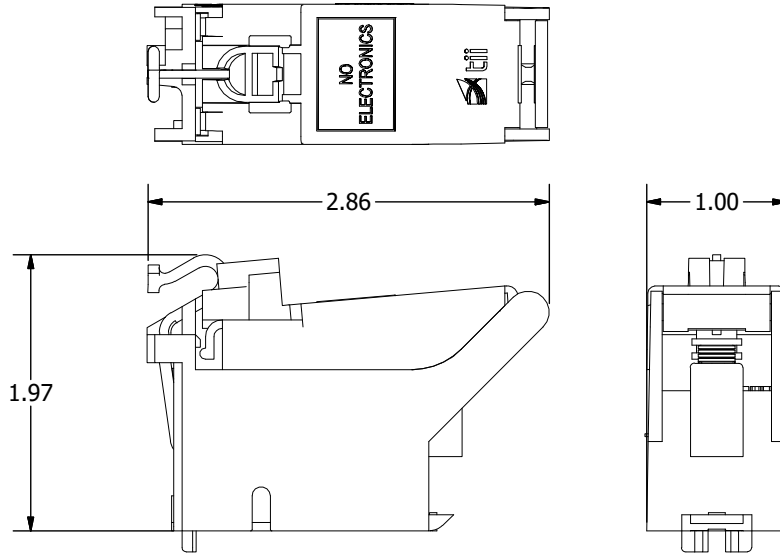
- ▶ Exceeds Telcordia GR-49-CORE requirements for severe climatic conditions, both first and second level lightning surge requirements in the open and short circuit mode
- ▶ Listed to UL 1863



Tii Technologies Inc.

Corporate Headquarters:

141 Rodeo Drive
Edgewood, NY 11717
Phone: 631.789.5000
Fax: 631.789.5063
Toll Free: 888.844.4720
sales@tiitech.com



Dimensions are in Inches

Patent No. 5,704,797

ORDERING INFORMATION

| 95-1 | -XX | -X |
|------|---|---------------------------------------|
| | Electronics | Telco Termination |
| | 00 = None | 0 = Wire Leads Without Terminal Lugs |
| | 01 = ½ Ringer | 1 = Wire Leads With #10 Terminal Lugs |
| | 08 = RFI Filter | |
| | 01/08 = Combination ½ Ringer & RFI Filter | |