

## 91 Series

### *Expansion Modules*

No. 26 AWG thru  
No. 18.5 AWG  
Termination Capability

Gel-Sealed IDC  
Terminations Available

Unsurpassed RJ-11  
Performance

Allows for Field Expansion  
Listed to UL 497 & 1863



**Tii Technologies Inc.**

*Corporate Headquarters:*  
141 Rodeo Drive  
Edgewood, NY 11717  
Phone: 631.789.5000  
Fax: 631.789.5063  
Toll Free: 888.844.4720  
sales@tiitech.com

[www.tiitech.com](http://www.tiitech.com)



91 Series Expansion Modules are designed to add additional subscriber lines to Tii's pre-wired Outdoor Telephone Network Interface Devices.

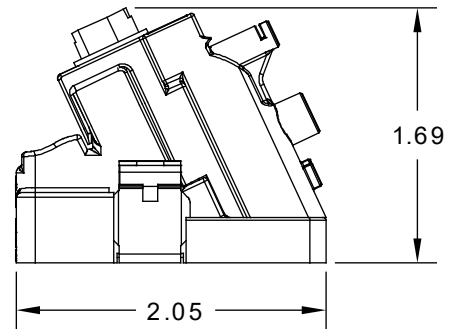
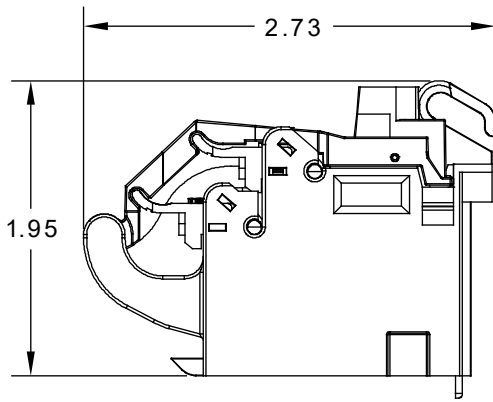
#### **KEY PRODUCT BENEFITS**

- ▶ Wide variety of modules available.
- ▶ Many modules in the 91 Series utilize the latest technology in gel-sealed terminations for years of trouble-free maintenance.
- ▶ Units utilize special materials to withstand harsh outdoor environments, such as UV degradation, chemical exposure and cold temperatures.
- ▶ The Angle Driver (AD Sealed Protector) accepts 18.5-24 AWG wire in the Lower Service Entry Ports. The Upper Entry Ports of the Angle Driver accept 22-26 AWG wire. All IDC connections of the 95S and 96 CBM accept 22-26 AWG.
- ▶ Expansion Modules which include Tii's Sealed Protector and a Sealed Subscriber Bridge Module (containing a tii Auto-Jack®) offer a totally sealed plant network interface that provide years of maintenance-free service protected from weather related problems.
- ▶ Our superior performing Customer Bridge Module (CBM) includes Tii's Auto-Jack® RJ-11 which is protected from the environment, requires no RJ-11 plug, and meets Telcordia "Normal and Severe Climatic" requirements of first and second level lightning surges resulting in unsurpassed performance.
- ▶ Customer connections are equipped with insulated screw terminals or optional gel-sealed IDC terminations.
- ▶ Each FCC approved jack accepts the standard RJ-11 plug for customer troubleshooting.
- ▶ All components are totally modular and allow simple field expansion.

#### **INDUSTRY STANDARDS**

- ▶ Certain components incorporate sealed terminations which exceed Telcordia TR-NWT-0000975 "Generic Requirements For Unprotected Termination Devices" and the latest requirements of Telcordia GR-49-CORE, "Generic Requirements For Outdoor Telephone Network Interface Devices."
- ▶ Listed to UL 497 & 1863

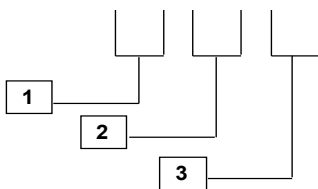
# 91 Series



Dimensions are in Inches

## ORDERING INFORMATION

9 1 - x x - x x - x x



## EXPANSION MODULE OPTIONS

### 1. Station Protectors

00 = None	52 = 372-S2
01 = 356L	53 = 356M2
03 = 356M1	54 = 356M3
07 = 355M	71 = AD-01W-FS
15 = 126M	72 = AD-02W-FS
17 = 126L1	73 = AD-M2-W-FS
22 = 122	76 = AD-03W-FS
50 = 355MT	78 = AD-01W-LP
51 = 127M	80 = ADX-L/R or W

### Standard Pkg.

75 pieces each per pack  
0.1 lbs. each per unit

### 2. Subscriber Options

- 04 = 95-1 Customer bridge Module Equipped with Auto-Jack, Compatible with the 3600/3700
- 07 = 95S-1 Sealed Customer bridge Module Equipped with IDC Connections and Auto-Jack, Compatible with the 3600/3700
- 08 = 96 Sealed Customer bridge Module Equipped with IDC Connections and Auto-Jack, Compatible with CAC 7600
- 12 = 95S-1-12 Sealed Customer Bridge Module Equipped with IDC Connections, Auto-Jack and VDSL Filter

### 3. Electronic Options

01B = 1/2 Ringer in Base of Customer Bridge

**Note:** Utilizes Insulation Displacement Connection (IDC) Technology  
No Stripping Of Wire Insulation Required, allows for Tool-less Termination.  
Each FCC Approved Jack Accepts A Standard RJ-11 Plug For Customer Troubleshooting

Please refer to the respective data sheets for descriptions and specifications of Tii Protectors and Customer Bridge Modules.