

8925 Series

25 Pair Indoor Network Interface Devices

CPE/Premise Wiring

DOT

MDU

Utility/Municipality



**8925A
IDC Rocker Version**

8925 Series Network Interface Devices (NIDs) are compact devices that specifically designed to be used in place of the "66" type block. 8925 NIDs utilize the same footprint as the standard 66 block. They feature 25 RJ-11 snap-in type Auto-Jacks® for multi-line demarcation testing in one compact unit.

KEY PRODUCT BENEFITS

- ▶ Offered with or without half-ringer electronics.
- ▶ Equipped with a self-latching hinged cover for convenient Telco access
- ▶ Telco terminations are made by means of a 50 pin RJ-21 connector
- ▶ Units can be mounted to a wall, frame or backboard with optional 8B mounting bracket
- ▶ Tii's patented RJ-11 Auto-Jack® meets Telcordia GR-49-CORE normal and severe lightning surge immunity requirements

INDUSTRY STANDARDS

- ▶ Listed To UL 1863
- ▶ Meets Telcordia GR-49-CORE requirements



Tii Technologies Inc.

Corporate Headquarters:

141 Rodeo Drive
Edgewood, NY 11717

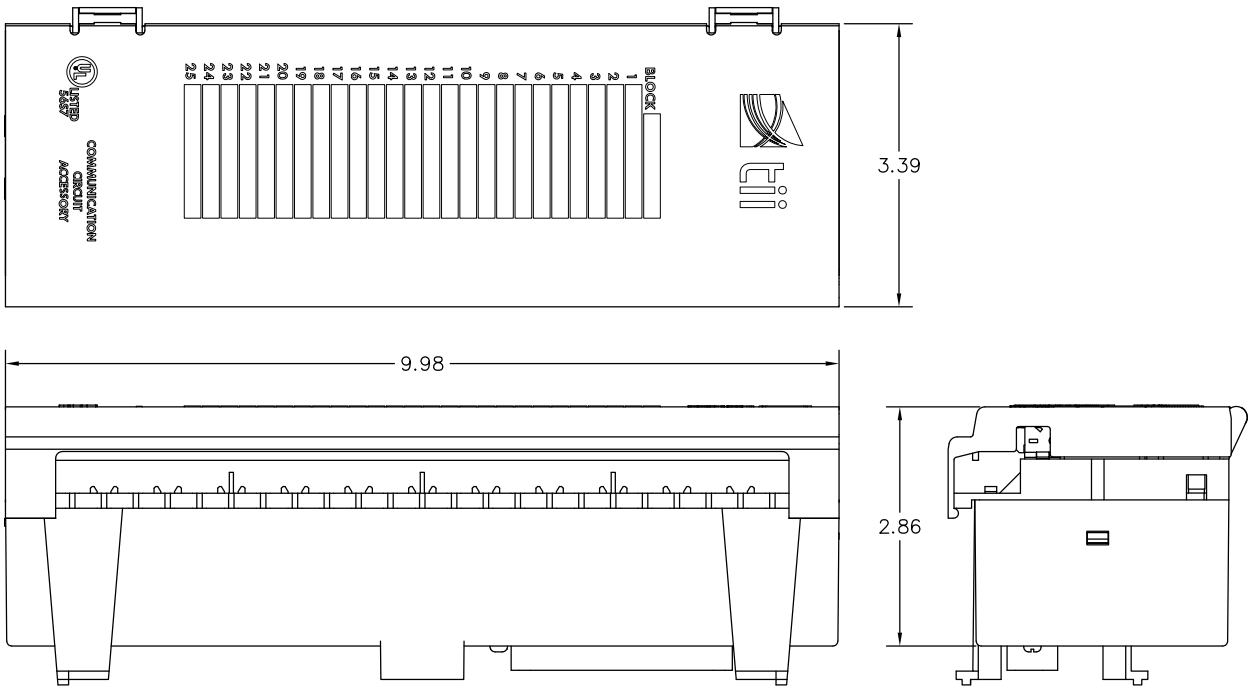
Phone: 631.789.5000

Fax: 631.789.5063

Toll Free: 888.844.4720

sales@tiitech.com

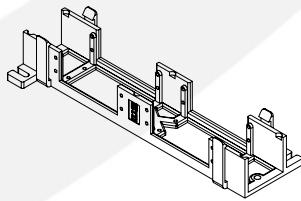
8925 Series



Dimensions are in Inches

ORDERING INFORMATION

Model No.	Description	Standard Pkg.
8925A	25 Pair Network Interface Device Equipped with IDC Terminations	6 pieces
8925A-01	25 Pair Network Interface Device Equipped with IDC Terminations and 25 ½ Ringers	1.7 lbs. each
8925A-B	25 Pair Network Interface Device Equipped with IDC Terminations, with Mounting Bracket	(without 8B Mounting Bracket)
8925A-01B	25 Pair Network Interface Device Equipped with IDC Terminations and 25 ½ Ringers, with Mounting Bracket	



Optional 8B Mounting Bracket for 8925