

759, 760 Series

One and Two Pair Network Interface Adapters

CPE/Premise Wiring

DOT

MDU

Utility/Municipality



The 759 and 760 Network Interface Devices enable you to take a one- or two-pair station protector and add a subscriber network interface.

KEY PRODUCT BENEFITS

- ▶ The 759 converts a one- or two-pair station protector housed in a "B" service closure
- ▶ The 760 can replace the existing cover of a tii 325, 326, 320 or 321 one- or two-pair station protector to add a subscriber network interface
- ▶ The 760 can also retrofit 123 or 128 type station protector to add a subscriber network interface
- ▶ Both models are compatible with a wide range of station electronics
- ▶ Both models can be field upgraded from one-line to two-line protection
- ▶ RJ-11 jack and customer bridge assemblies are replaceable
- ▶ Both models provide a locking device for customer security and Telco override capability

INDUSTRY STANDARDS

- ▶ Listed to UL 497

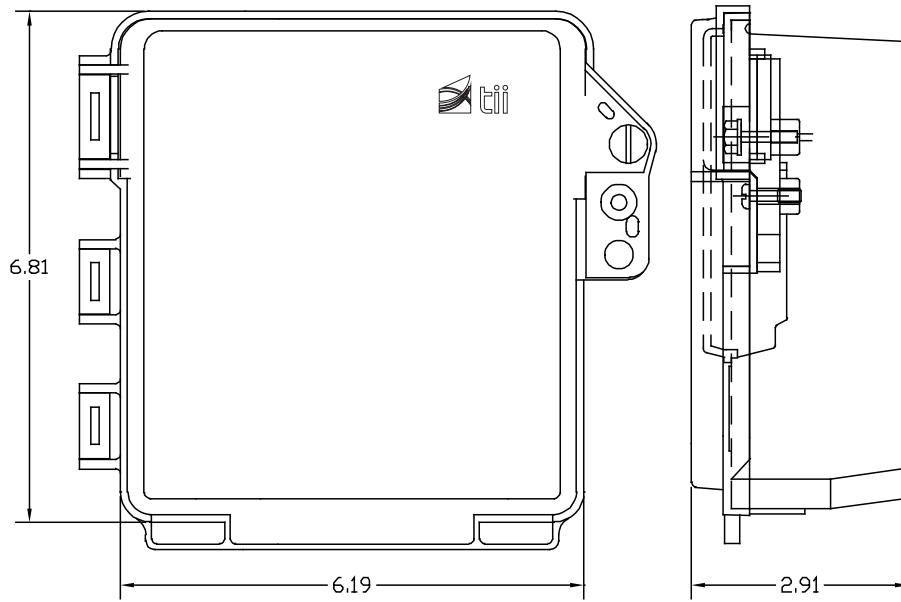


Tii Technologies Inc.

Corporate Headquarters:

141 Rodeo Drive
Edgewood, NY 11717
Phone: 631.789.5000
Fax: 631.789.5063
Toll Free: 888.844.4720
sales@tiitech.com

759, 760 Series



Dimensions are in Inches

Patent No. 4,860,350

ORDERING INFORMATION

759XX		-X	-X	
No. of Lines	Security Screw	Reserved	Electronics - Any Combination of 2 Boards	
1 = 1 Line	H = Hex Head	0	00 = None	
2 = 2 Lines	P = Pin Head		Small Boards 1 = 856 Half-Ringer	
			Large Boards 3 = 817 ANI 4 = 821 SRM	
Standard Package:		20 Pieces		
Weight:		759-1H 1.22 lbs. each	759-2H 1.3 lbs. each	
		759-1P 1.22 lbs. each	759-2P 1.3 lbs. each	

760XX		-XX	-X	-XX
No. of Lines	Security Screw	Station Protection	Reserved	Electronics - Any Combination of 2 Boards
1 = 1 Line	H = Hex Head	00 = None	0	00 = None
2 = 2 Lines	P = Pin Head	01 = 1 356L w/base		Small Boards 1 = 856 Half-Ringer
		02 = 2 356L w/base		Large Boards 3 = 817 ANI 4 = 821 SRM
		03 = 1 365M1 w/base		759 and 760 Replacement/Expansion Parts
		04 = 2 356M1 w/base		91 = One Line Plug & Jack Replacement/Upgrade Kit
		07 = 1 355M w/base		92 = One Line Customer Bridge
		08 = 2 355M w/base		93 = One Line Jack Assembly
		15 = 1 126M w/base		
		16 = 2 126M w/base		
		17 = 1 126L1 w/base		
		18 = 2 126L w/base		
		52 = Base only		

Standard Package:		20 Pieces		
Weight		760-1H 1.063 lbs. each	760-2H 1.138 lbs. each	
		760-1P 1.063 lbs. each	760-2P 1.138 lbs. each	