

751 Series

Indoor Gel Sealed Network Master Jack

CPE/Premise Wiring

DOT

MDU

Utility/Municipality



751-1T-01

The 751 Indoor Gel-Sealed Master Jack is ideally suited for indoor demarcation applications and is a baseboard mount which may be mounted to any suitable flat surface.

KEY PRODUCT BENEFITS

- ▶ Provides a convenient way to perform customer premise demarcation testing
- ▶ A phone jack is provided on each unit so that a telephone connection may be established at the location
- ▶ Tool-less IDC rocker for telephone wire connections on the inside of jack
- ▶ Equipped with Tii's unique patented Auto-Jack RJ-11[®] test receptacle. No RJ-11 plug to remove prior to testing
- ▶ All other internal customer premise phone jacks should then be connected to the output IDC rocker of the device
- ▶ For multi-dwelling unit applications the incoming telco service wires are connected to the Insulation Displacement Contacts (IDCs). All other internal customer premise phone jacks should then be connected to the output IDC rocker of the device
- ▶ The 751 can be equipped with an optional half-ringer test circuit for remote testing

INDUSTRY STANDARDS

- ▶ Listed to UL 1863



Tii Technologies Inc.

Corporate Headquarters:

141 Rodeo Drive
Edgewood, NY 11717

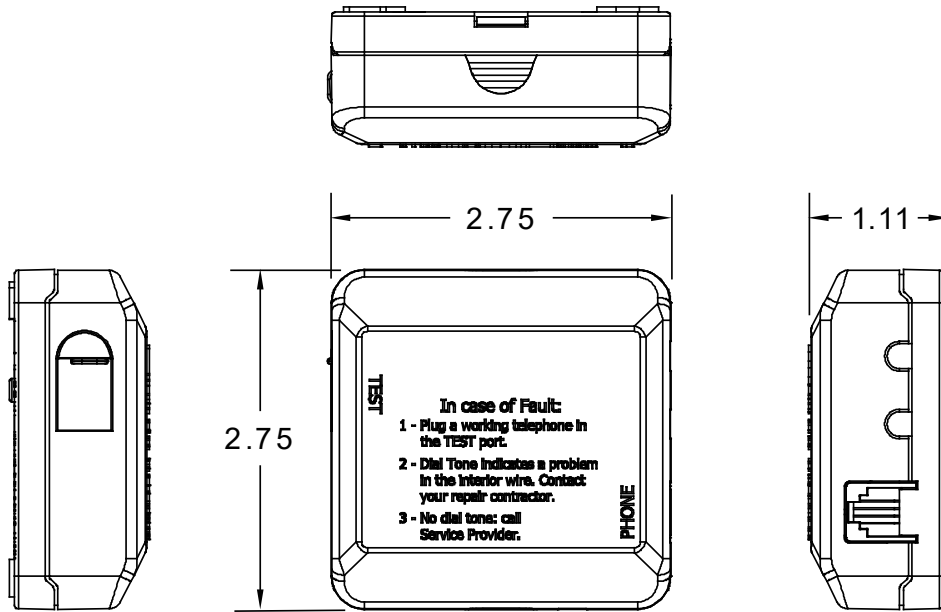
Phone: 631.789.5000

Fax: 631.789.5063

Toll Free: 888.844.4720

sales@tiitech.com

751 Series



Dimensions are in Inches

ORDERING INFORMATION

Model No.	Description
751-1T-00	Indoor Gel Sealed Contact Indoor Master Jack
751-1T-01	Indoor Gel Sealed Contact Indoor Master Jack with Half-Ringer