

## 5100 Series

### *Two Line Enhanced Indoor/ Outdoor Network Interface Device*

CPE/Premise Wiring

DOT

MDU

Utility/Municipality

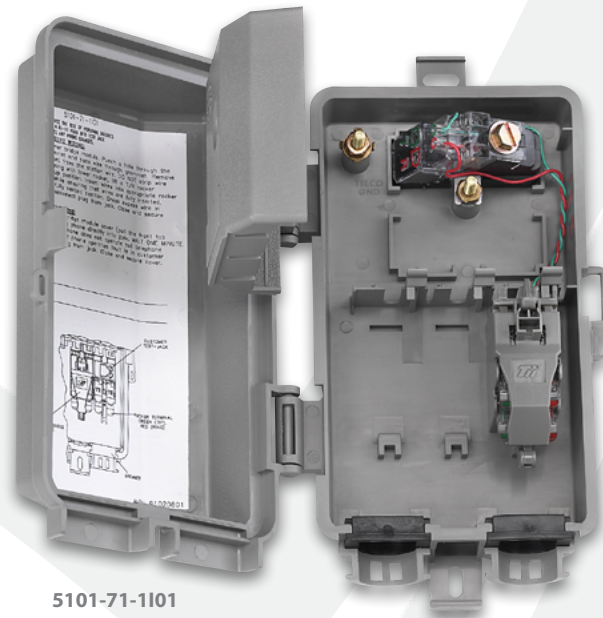


**Tii Technologies Inc.**

**Corporate Headquarters:**

141 Rodeo Drive  
Edgewood, NY 11717  
Phone: 631.789.5000  
Fax: 631.789.5063  
Toll Free: 888.844.4720  
sales@tiitech.com

[www.tiitech.com](http://www.tiitech.com)



5101-71-1101

The 5100 Two Line Enhanced Indoor/Outdoor Network Interface Device (NID) is a versatile, two pair housing that accommodates a variety of station protection modules, Customer Bridge Modules (CBM) and xDSL splitters. This compact NID provides an additional line module location which increases the versatility of the NID.

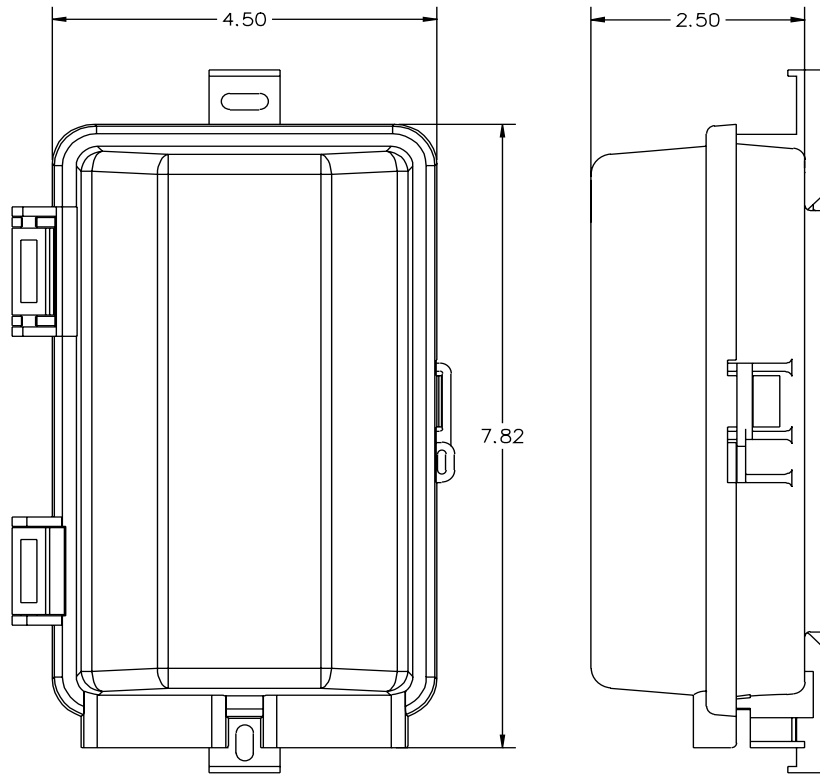
#### **KEY PRODUCT BENEFITS**

- ▶ Provides an additional line module location space which is ideally suited for voice/data bridging modules or xDSL splitter modules.
- ▶ Constructed of superior materials to withstand harsh outdoor environments, such as UV degradation, chemical exposure and cold temperatures.
- ▶ Low profile design allows complete access to all components for easy installation and servicing.
- ▶ Conveniently located telco ground stud facilitates installation. An integrally molded ground stud commonly bonds the station protector to the telco ground stud which eliminates the need for jumper wires.
- ▶ All internal components – protector modules and CBMs – are completely modular, allowing for simple field expansion.
- ▶ Standard features include side hinged cover and telco locking compartment. For added security the cover can be sealed in the field with a tie wrap or similar device.
- ▶ The 5100's superior performing CBM includes Tii's Auto-Jack® RJ-11 which is protected from the environment, requires no RJ-11 plug, and exceeds Telcordia requirements for first and second level power surges resulting in unsurpassed performance.
- ▶ Customer connections are equipped with insulated screw terminals or optional gel sealed Insulation Displacement Contacts (IDC) terminations.
- ▶ Each lockable CBM also accepts a standard RJ-11 plug for easy customer troubleshooting.

#### **INDUSTRY STANDARDS**

- ▶ The innovative, totally sealed connections of the protection modules in the 5100 exceed the sealing requirements specified by Telcordia TR-NWT-000975, "Generic Requirements For Unprotected Terminal Blocks"
- ▶ Protection modules exceed Telcordia GR-1361-CORE "Generic Requirements For Gas Tube Protectors"
- ▶ Listed to UL 497

# 5100 Series



Dimensions are in Inches

## ORDERING INFORMATION

510	-XX	-X	X	XX
No. of Station Protectors	Station Protector	Customer Bridge Module		
		No. of CBMs	Wiring Type	Electronics
0 = None	00 = None	0 = None	0 = None	00 = None
1 = One	01 = 356L	1 = One	S = Insulated Screws	12 = VDSL2 POTS Splitter
2 = Two	07 = 355M	2 = Two	I = IDC Terminations	14 = VDSL2 POTS Splitter with EMI Filter
	17 = 126L1			
	22 = 122			
	78 = AD-01W-LP			
	80 = ADX-L/R or W			