

## 356-11-00

### *VDSL2 Compliant Station Protector with Demarcation Jack*

CPE/Premise Wiring

DOT

MDU

Utility/Municipality



**Tii Technologies Inc.**

**Corporate Headquarters:**

141 Rodeo Drive  
Edgewood, NY 11717  
Phone: 631.789.5000  
Fax: 631.789.5063  
Toll Free: 888.844.4720  
sales@tiitech.com

www.tiitech.com



356-11-00

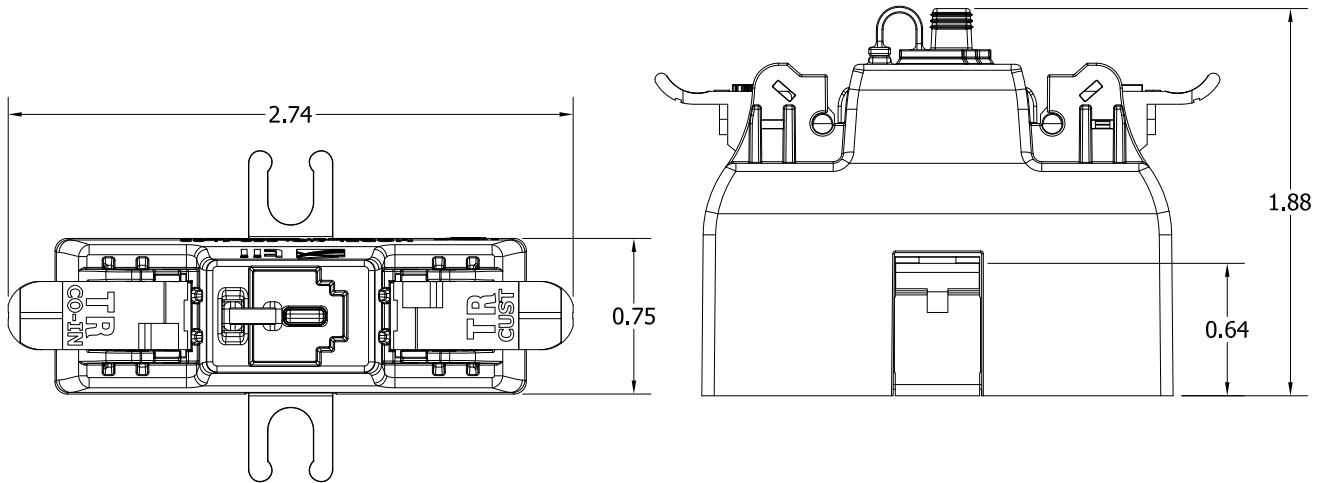
The 356-11-00 Protector Module combines the 356 Heavy Duty Protector with Tii's gel-filled RJ-11 Auto-Jack® and gel-filled IDC terminations to provide years of reliable protection against power surges and lightning induced surges.

#### KEY PRODUCT BENEFITS

- ▶ VDSL2 compliant up to 30MHz
- ▶ The 356-11-00 module is entirely self-contained and consists of a Tii Heavy Duty three-electrode gas tube surge arrester, a failshort mechanism, IDC connections for Telco and customer wiring, and an RJ-11 jack as a demarcation.
- ▶ Entire assembly is completely encapsulated to prevent moisture entry and environmental contamination
- ▶ Includes a corrosion-resistant ground strap, two gel-filled IDC rockers for inside wire termination and station wire connection, and a gel-filled Tii Auto-Jack® for demarcation
- ▶ Surge protection is provided in the following ways:
  - 1) The gas tube responds to overvoltage surges and shunts the transient voltage to ground.
  - 2) The failshort device operates under power cross conditions to permanently and safely ground the line
- ▶ The 356-11-00 module may be deployed in a variety of listed single and multiple pair enclosures

#### INDUSTRY STANDARDS

- ▶ Listed to UL 497 in the Signal Circuit Protector category when mounted in a Tii station protector or network interface device (NID)
- ▶ Surge handling and life capabilities exceed the objectives of Telcordia Generic Requirement GR-1361 CORE
- ▶ Listed per UL 1863 and applicable Canadian standards by US (CUL US)



Dimensions are in Inches

## SPECIFICATIONS

<b>DC Breakdown Voltage</b>	265 - 600 vdc
<b>DC Holdover: 52.5 V@260 ma 135 V@200 ma</b>	< 150 V msec
<b>Maximum Single Impulse Discharge Current, 8/20 waveform</b>	20 kA 10 kA/Side Simultaneously
<b>Service Life</b>	
10 Amp, 10/1000µsec waveform	1500 Surges Min.
100 Amp, 10/1000µsec waveform	100 Surges Min.
300 Amp, 10/1000µsec waveform	50 Surges Min.
<b>AC Discharge Current</b>	
10 Amp, 1 Second	5 Operations Min.
1 Amp, 1 Second	60 Operations Min.
<b>*Capacitance</b>	<30 pF
<b>** Impulse Breakdown Voltage @ 100 V/µsec</b>	500 V Typical 750 V Max.
<b>*Insulation Resistance @ 100 vdc</b>	100 Megohms Min.
<b>*Line to Ground</b>	
Test Method: IEEE 465.1, TELCORDIA GR-1361 CORE	

## ORDERING INFORMATION

Model No.	Description
<b>356-11-00</b>	VDSL2 Compliant Station Protector with Demarcation Jack