

NETWORK INTERFACE DEVICES

320 NIZ, 325 NIZ, 326 NIZ, 126 NIZ Series

One-Line Outdoor/ Indoor Network Interface Devices

CPE/Premise Wiring

DOT

Utility/Municipality

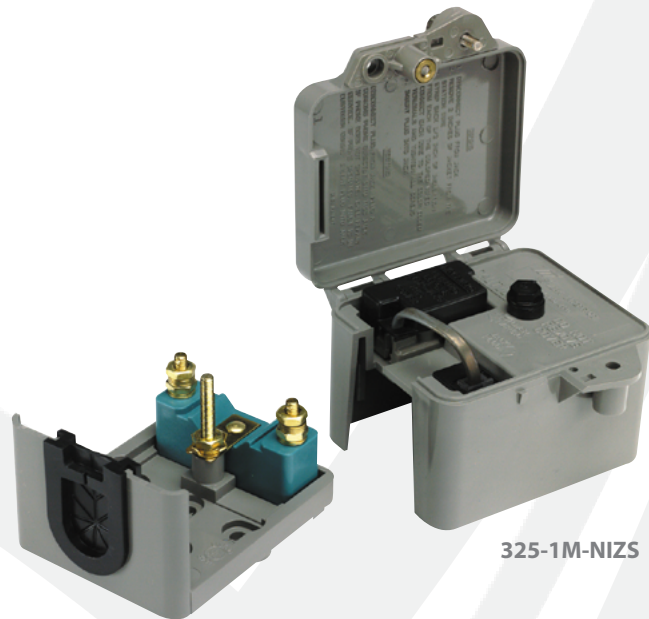


Tii Technologies Inc.

Corporate Headquarters:

141 Rodeo Drive
Edgewood, NY 11717
Phone: 631.789.5000
Fax: 631.789.5063
Toll Free: 888.844.4720
sales@tiitech.com

www.tiitech.com



325-1M-NIZS

320 NIZ, 325 NIZ, 326 NIZ and 126 NIZ Network Interfaces improve the capabilities with your network, and with the use of optional encapsulated station protector modules, provides protection against surge damage, premature shorting, corrosion and contamination of circuits.

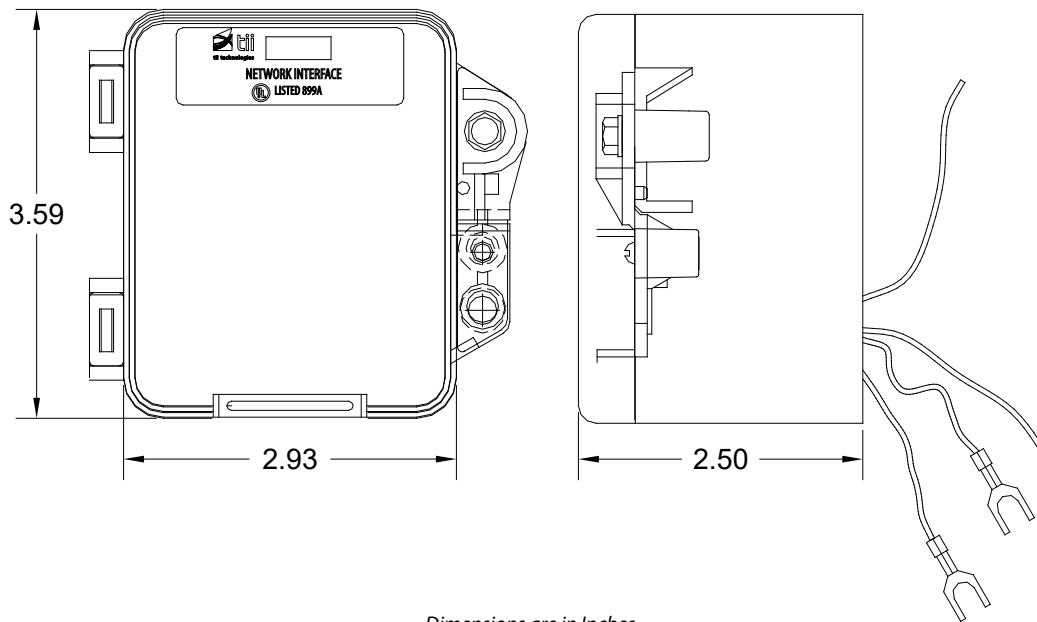
KEY PRODUCT BENEFITS

- ▶ Unit consists of a mounting base, optional encapsulated station protector module, and a network interface cover assembly
- ▶ RJ-11 Plug and Jack furnished with weather-resistant grommets
- ▶ Telco Wiring Bridge allows easy hookup of accessories, such as a half-ringer.
- ▶ Hinged top cover includes easy-to-follow customer installation instructions
- ▶ Customer access is totally isolated from Telco wiring and the protectors for added safety during installation
- ▶ Accommodates a wide variety of Tii's encapsulated protector modules.
- ▶ 355 and 356 protector modules consist of a three-electrode gas tube with a failshort mechanism to permanently ground both sides of the line, provide air gap protection in the rare instance when the gas tube vents
- ▶ 355 and 356 are ideal for use where heavy surges are likely to occur, especially where aerial wire, rural distribution wire, or long drop runs are used
- ▶ 126 protector module has two Heavy Duty Tii gas tubes which provide an extra level of protection in both life and current handling capacity beyond that of most two-electrode gas tubes
- ▶ The internal components of the Tii station protector modules are encapsulated to safeguard against contamination and corrosion of the protection elements, a feature not found in screw-in type station protectors
- ▶ 355 TFS® Maximum Duty three-electrode protector module is used in the 325 NIZ
- ▶ 356 TFS® Heavy Duty three-electrode protector module is used in the 326 NIZ
- ▶ 126L1 TFS® Heavy Duty two-electrode protector module is used in the 126 NIZ
- ▶ Other Tii station protector modules may be provided in the 320 NIZ enclosure

INDUSTRY STANDARDS

- ▶ Listed to UL 497

320 NIZ, 325 NIZ, 326 NIZ & 126 NIZ



Dimensions are in Inches

ORDERING INFORMATION

| Model No. | Description |
|-----------------------|---|
| 320-(XX)-1NIZ | XX = Station Protectors 54 = 356M3 |
| 320-(XX)-1NIZS | 22 = 122 71 = AD-01W-FS |
| | 50 = 355MT 72 = AD-02W-FS |
| | 51 = 127M 73 = AD-M2-W-FS |
| | 52 = 372-S2 76 = AD-03W-FS |
| | 53 = 356M2 78 = AD-01W-LP |
| 325-1M-NIZST | Single Pair Max Duty Station Protector with Network Interface and Hex Head Cover Screw with Tin Plated Hardware |
| 326-1(*)-NIZ | Single Pair, Heavy Duty Station Protector with Network Interface and Pin-In-Head Cover Screw |
| 326-1(*)-NIZS | Single Pair, Heavy Duty Station Protector with Network Interface and Hex Head Cover Screw |
| 126-1(*)-NIZ | Single Pair Heavy Duty or Two Electrode Station Protector with Network Interface and Pin-In-Head Cover Screw |
| 126-1(*)-NIZS | Single Pair Heavy Duty or Two Electrode Station Protector with Network Interface and Hex Head Cover Screw |

* Insert letter L or M in place (*).

"L" designates a protector module meeting specific Bell System Requirements.

"M" designates a protector module meeting RUS and PEG and other industry requirements.

Both "L" and "M" types are UL Listed.