

## 3100 COCOT Series

*(Customer Owned  
Coin Operated  
Telephone)  
Network Interface  
Devices*

CPE/Premise Wiring

DOT

MDU

Utility/Municipality



**Tii Technologies Inc.**

**Corporate Headquarters:**

141 Rodeo Drive  
Edgewood, NY 11717

Phone: 631.789.5000

Fax: 631.789.5063

Toll Free: 888.844.4720

sales@tiitech.com

www.tiitech.com



3123P-71-2

The 3100 COCOT (Customer Owned Coin Operated Telephone) Network Interface Device Series consists of rugged indoor/outdoor enclosures, designed as a one- or two-pair network interface device for residential/commercial demarcation service.

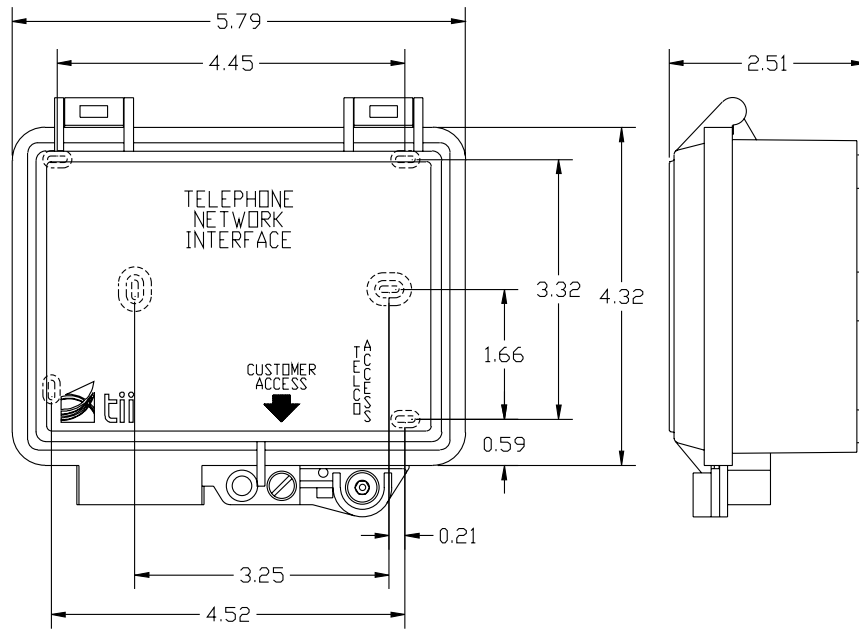
### KEY PRODUCT BENEFITS

- ▶ Each device is equipped with surge protectors, as well as the standard features found in network interface devices
- ▶ Compact, low-profile design makes this enclosure suitable for mounting behind the access panel found in most pedestal type phones
- ▶ Magnetic mounting strips are available for mounting to steel plates found in pedestal type phone equipment
- ▶ Cover assembly consists of one or two gel-filled RJ-11 jacks and plugs for added environmental protection
- ▶ Modular expansion parts to upgrade from one to two pair are readily available and require minimal field time to install
- ▶ Provisions for optional electronics, such as Tii's 856 half-ringer or tii 831 RF filter are built into the Telco cover
- ▶ Telco cover assembly attaches to the mounting base with a captive nylon cover nut
- ▶ Includes standard network interface features, such as a hinged, lockable customer cover with telco bypass, separate telco and customer compartments and fully hinged covers

### INDUSTRY STANDARDS

- ▶ UL Listed to 497

# 3100 COCOT Series



Dimensions are in Inches

## ORDERING INFORMATION

31	X	X	X	-XX	-XX	-X
Housing	Plug & Jack	Security Screw	Station Protectors	Electronics	Additional Mounting Options	
1 = Housing with Interface For One Line	3 = Gel-Filled	H = Hex Head P = Pin-In-Head	00=None 01=356L 03=356M1 07=355M 15=126M 17=126L1 22=122 50=355MT 51=127M 53=356M2 54=356M3 71=AD-01W-FS 72=AD-02W-FS 73=AD-M2-W-FS 76=AD-03W-FS 78=AD-01W-LP	00 = None 01 = 1/2 Ringer 08 = RFI Filter	0 = None 1 = Rear Knockout with Grommet 2 = Magnetic Mounting Strips	
2 = Housing with Interface For Two Lines						

**Expansion Parts** 3100 Series 93 Bridge equipped with gel-filled RJ-11 plug and jack

**Standard Pkg.** 20 pieces

3113P - 0.94 lbs. each (enclosure only) 3123P 1 lb. each (enclosure only)

INFORMATION CONTAINED IN THIS PUBLICATION IS PROVIDED ONLY FOR YOUR CONVENIENCE AND IS SUBJECT TO CHANGE WITHOUT NOTICE. TII TECHNOLOGIES MAKES NO REPRESENTATIONS OR WARRANTIES OF ANY KIND WHETHER EXPRESS OR IMPLIED, WRITTEN OR ORAL, STATUTORY OR OTHERWISE, RELATED TO THE INFORMATION, INCLUDING BUT NOT LIMITED TO ITS CONDITION, QUALITY, PERFORMANCE, MERCHANTABILITY OR FITNESS FOR PURPOSE; AND TII TECHNOLOGIES DISCLAIMS ALL LIABILITY ARISING FROM THE USE OF THIS INFORMATION.