

Slim Patch Series

Fiber Optic Distribution Assembly

CPE/Premise Wiring

DOT

Utility/Municipality

Wireless



WMS1BF06RSAI015M

WMS2BF12RSAI015M

Slim Patch Series fiber distribution assembly is designed for small confined space installations. 2-12 fiber cables are factory terminated in the Slim Patch for a simple, compact and rugged distribution point. The custom length pigtail can be fusion spliced in a pedestal or splice case saving valuable space at the distribution point.

KEY PRODUCT BENEFITS

- ▶ Small form factor to fit into compact spaces
- ▶ Available in a variety of cable constructions including: I/O loose tube, outdoor flat drop, indoor distribution
- ▶ Rugged aluminum construction to withstand harsh environmental conditions
- ▶ Accommodates up to 12 fiber ports
- ▶ Factory Terminated Pigtail

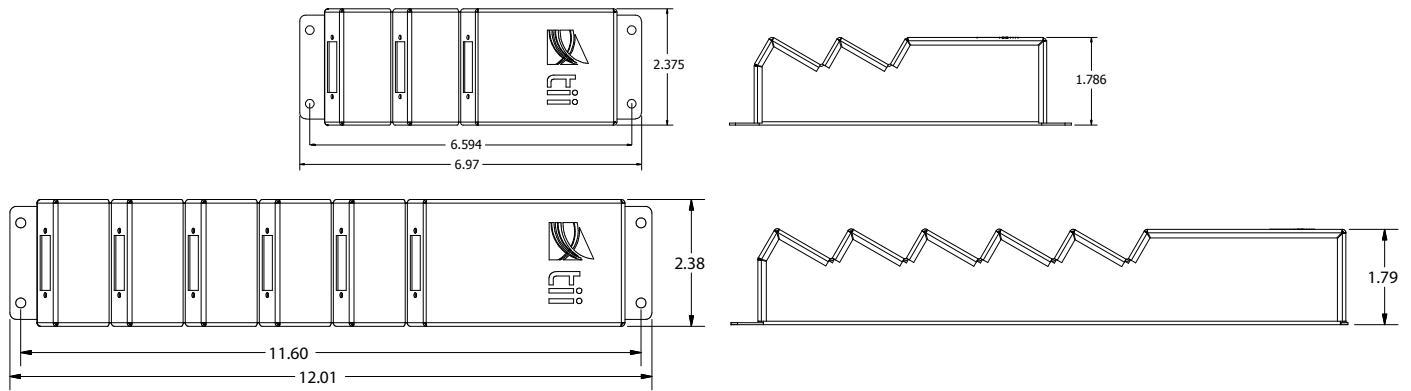


Tii Technologies Inc.

Corporate Headquarters:

141 Rodeo Drive
Edgewood, NY 11717
Phone: 631.789.5000
Fax: 631.789.5063
Toll Free: 888.844.4720
sales@tiitech.com

Slim Patch Drop



Dimensions are in Inches

SPECIFICATIONS

CABLE CONSTRUCTION CODES: I - INDOOR/OUTDOOR LOOSE TUBE DIELECTRIC RISER

Property	2 Fiber	4 Fiber	6 Fiber	12 Fiber	24 Fiber
Diameter (in)	0.18	0.20	0.22	0.26	0.35
Weight (lb/1,000ft)	14	16	22	25	45
Min Bend Radius Loaded/Installed (in)	2.9 / 1.9	3.0 / 2.0	3.4 / 2.2	3.8 / 2.6	5.3 / 3.5
Max Loading Short Term/Installed (lb)	150 / 40	225 / 65	225 / 65	400 / 135	400 / 135
Operational Temperature Range	-20 to 85°C				
Fiber Code	R	K	C	S	
Fiber Type	Singlemode	MM62.5 OM1	MM50 OM2	MM50 OM3	
Wavelength (nm)	1310/1550	850/1300	850/1300	850/1300	
Maximum Attenuation (dB/km)	1.0/0.75	3.75/1.5	3.5/1.5	3.0/1.5	
Serial Gigabit Distance (m)	5000/ -	300/550	600/600	1000/600	
Serial 10 Gigabit Distance (m)	10000/40000	33/ -	82/ -	300/ -	
Flame Rating	Riser OFNR (FT-4)				
Insertion Loss	Singlemode <=0.3dB, Multimode <=0.4dB				
Back Reflection	Singlemode <=-55dB, Multimode <=-25dB				

C - OUTDOOR FLAT DROP DIELECTRIC

Property	Value
Fiber Type	Singlemode 652.D
Construction Configuration	Flat Drop Cable
Nominal OD	0.31 x 0.18in
Nominal Weight	23 lb/1000ft
Pull Tension Installation	300 lbs
Pull Tension Operation	90 lbs
Temperature Range Storage	-40 to 70 C (-40 to 158 F)
Temperature Range Operation	-40 to 70 C (-40 to 158 F)
Wavelengths	1310nm 1550nm
Maximum Attenuation (dB/km)	0.35 0.25
Insertion Loss	<=0.3dB
Backreflection	APC<=-65dB UPC<=-55

MODEL NUMBER MATRIX

WMS	X	BF	XX	X	XX	X	XXX	X
	SIZE		PORTS	FIBER MODE	CONNECTORS	CABLE CONSTRUCTION	LENGTH	UOM
	1 = 7" 2 = 12"		02 08 04 12 06	R = Singlemode K = MM62.5 OM1 C = MM50 OM2 S = MM50 OM3	LC = LC SC = SC SA = SC APC ST = ST	I = Indoor/Outdoor Loose Tube C = Outdoor Flat Drop D = Indoor Distribution	3 Digit, e.g. 001 = 1 015 = 15 Meters	F = Feet M = Meters

INFORMATION CONTAINED IN THIS PUBLICATION IS PROVIDED ONLY FOR YOUR CONVENIENCE AND IS SUBJECT TO CHANGE WITHOUT NOTICE. TII TECHNOLOGIES MAKES NO REPRESENTATIONS OR WARRANTIES OF ANY KIND WHETHER EXPRESS OR IMPLIED, WRITTEN OR ORAL, STATUTORY OR OTHERWISE, RELATED TO THE INFORMATION, INCLUDING BUT NOT LIMITED TO ITS CONDITION, QUALITY, PERFORMANCE, MERCHANTABILITY OR FITNESS FOR PURPOSE; AND TII TECHNOLOGIES DISCLAIMS ALL LIABILITY ARISING FROM THE USE OF THIS INFORMATION.