

OC-2424FR

FRP (Fiberglass Reinforced Plastic) Enclosure

FTTx

MDU

Utility/Municipality

Wireless



OC-2424FR

The OC-2424FR is a customized indoor/outdoor NEMA 4X-rated cabinet suited for high temperature or corrosive environments and is designed to protect sensitive equipment from dirt, oil and water.

KEY PRODUCT BENEFITS

- ▶ Constructed of durable fiberglass reinforced plastic
- ▶ Plywood is flame retardant, rated to ATSM E84 Class A/Class 1
- ▶ Four external stainless mounting feet suitable for wall mounting
- ▶ Multiple stainless locking hasps provided weathertight seal
- ▶ ¼ turn 216 security tool opening, also pad-lockable
- ▶ Internal plywood backboard provides countless mounting options
- ▶ Recommended 1" screw length to mount accessories to the ½" thick plywood backboard
- ▶ Entry/exit ports can be drilled using standard tools

INDUSTRY STANDARDS

- ▶ UL Listed
- ▶ Meets GR-487 and NEMA 4X requirements

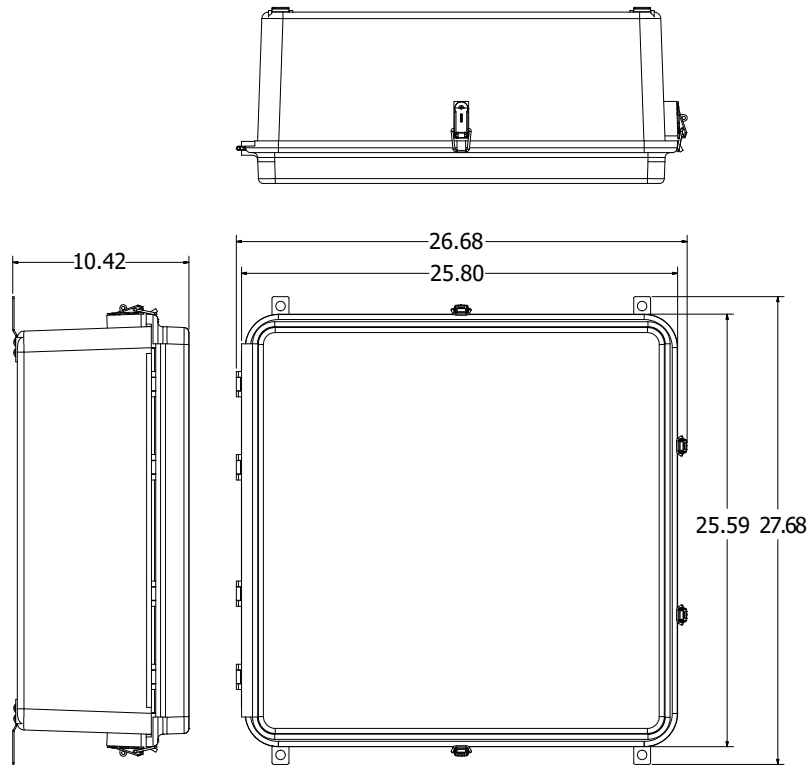


Tii Technologies Inc.

Corporate Headquarters:

141 Rodeo Drive
Edgewood, NY 11717
Phone: 631.789.5000
Fax: 631.789.5063
Toll Free: 888.844.4720
sales@tiitech.com

OC-2424FR



Dimensions are in Inches

ORDERING INFORMATION

Model No.	Description
OC-2424FR	FRP (Fiberglass Reinforced Plastic) Enclosure