

## HCCB Series

### Hybrid Fiber Optic/ Copper Enclosure

CPE/Premise Wiring

FTTP

MDU

PON

Utility/Municipality



HCCB3WRS90DPG007

Configured as a hybrid Fiber/Copper solution for up to 48 fiber service drops and up to 25 paired copper service drops, the HCCB conserves space, time and budget in mixed-use commercial and residential buildings.

Equipped with both a 48F patch and splice as well as a full BET (building entrance terminal), the HCCB provides a turnkey product in a single housing. The fiber termination utilizes Tii's modular NG-MOM cassette and can be configured in a wide range of deployment styles including fusion splicing and field termination. The copper BET has options from 12 to 25 pairs utilizing either Tii's IHD & 525 series BET's or 117S protector panel with stub and splicing options available.

#### KEY PRODUCT BENEFITS

- ▶ 48 fiber distribution
- ▶ Modular patch & splice cassettes for added flexibility
- ▶ Multiple options for copper building entrance termination
- ▶ Express cable with extra splicing capacity
- ▶ Multiple cable entry/exit modules for exact fit cable and conduit up to 1.5"
- ▶ Pole and wall mount
- ▶ Adjustable and fixed skirt options

#### INDUSTRY STANDARDS

- ▶ NEMA-4, IP-66
- ▶ UL-2416
- ▶ GR-3123, GR-326



**Tii Technologies Inc.**

**Corporate Headquarters:**

141 Rodeo Drive  
Edgewood, NY 11717

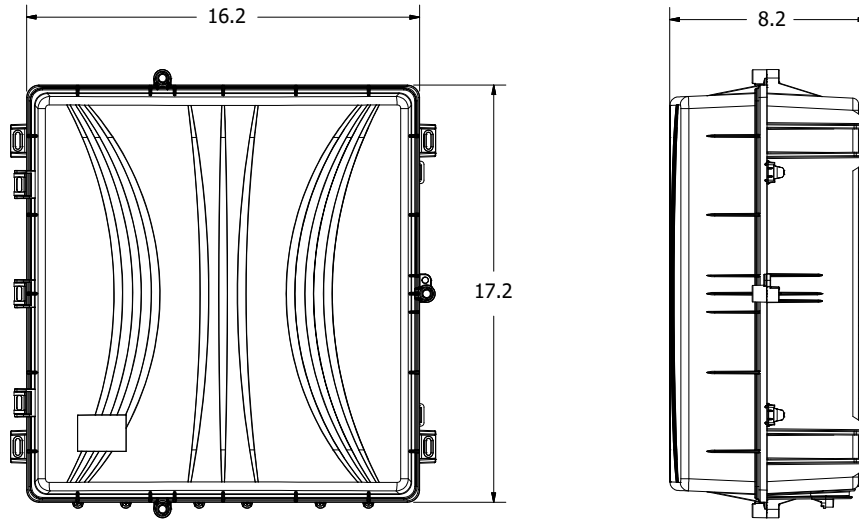
Phone: 631.789.5000

Fax: 631.789.5063

Toll Free: 888.844.4720

sales@tiitech.com

# HCCB Series



Dimensions are in Inches

## SPECIFICATIONS

<b>Patch &amp; Splice Cassettes or Plates</b>	Up to 4
<b>FST Splice Trays</b>	Up to 3
<b>Cable Entry Modules</b>	3 bottom, optional 3 top
<b>Dimensions (H x W x D)</b>	18" x 17" x 8.2"
<b>Packaging</b>	26" x 23" x 12"
<b>Shipping Weight (Typical)</b>	25 lbs.

## ORDERING INFORMATION

HCCB	X	X	X	XX	X	X	X	X	X	X	XXX
Cable Ports	Mounting Style	Fiber Type	Adapter Type	Distr. Count	Distr. Style	Splice Trays 24SF/72MF	BET Type	BET Output	BET Input	Cable Length	
3 = Bottom Standard (NEMA 3)	W = Wall P = Pole or Wall	R = SM G.657A1	LA = LC-APC LC = LC-UPC	B = 12 F = 24	C = Cassette Adapter only 9 = Cassette 900um Pigtail	1-3*	D = IHD 25 Pair 5-Pin BET B = 525 25 pair 5-Pin BEP S = 117S 12 Pair Station Protector	IHD Only P = Toolless IDC 525 Only 6 = 66 IDC 1 = 110 IDC M = Male RJ21 F = Female RJ21	IHD Only G = Stub Cable H = MS2 Gel K = MS2 Dry P = 710 Gel T = 710 Dry N = Raw Cable	000 = No Stub** 007 = 7 ft. 025 = 25 ft. 050 = 50 ft. 100 = 100 ft.	
4 = Bottom Conduit (NEMA 4)		N = SM G.657A2	SA = SC/APC SC = SC/UPC	H = 36 J = 48	R = Cassette Ribbon Pigtail P = Plate Adapters only						
A = Top/Bottom Standard (NEMA 4)		Z = SM G.657B3									
C = Top/Bottom Conduit (NEMA 3)											
								117S Only A = Angle Driver	525 Only 6 = 66 IDC 1 = 110 IDC M = Male RJ21 F = Female		

\* Feeder and distributor splicing is done inside cassettes, these trays are for express tables

\*\* No stub options are only for Tii's 525 and 117S Series BETs

INFORMATION CONTAINED IN THIS PUBLICATION IS PROVIDED ONLY FOR YOUR CONVENIENCE AND IS SUBJECT TO CHANGE WITHOUT NOTICE. TII TECHNOLOGIES MAKES NO REPRESENTATIONS OR WARRANTIES OF ANY KIND WHETHER EXPRESS OR IMPLIED, WRITTEN OR ORAL, STATUTORY OR OTHERWISE, RELATED TO THE INFORMATION, INCLUDING BUT NOT LIMITED TO ITS CONDITION, QUALITY, PERFORMANCE, MERCHANTABILITY OR FITNESS FOR PURPOSE; AND TII TECHNOLOGIES DISCLAIMS ALL LIABILITY ARISING FROM THE USE OF THIS INFORMATION.

# HCCB Series

## ORDERING INFORMATION - INDIVIDUAL ITEMS / ACCESSORIES

### BASE MODULE

<b>Model No.</b>	<b>Description</b>
<b>HCCB3</b>	HCC Bottom Entry NEMA 3 for Indoor Use Rubber and Split Grommets
<b>HCCB4</b>	HCC Bottom Entry NEMA 4 for Indoor and Outdoor Use Conduit
<b>HCCBA</b>	HCC Top/Bottom Entry NEMA 3 for Indoor Use Rubber and Split Grommets
<b>HCCBC</b>	HCC Top/Bottom Entry NEMA 3 for Indoor Use Conduit

### CASSETTES AND ADAPTER PLATES

<b>Model No.</b>	<b>Description</b>
<b>HPC-12RSAR</b>	Patch & Splice Cassette 12 Fiber SC-APC Ribbon
<b>HPC-12RSA9</b>	Patch & Splice Cassette 12 Fiber SC-APC 900um
<b>HPC-12RSAN</b>	Patch Cassette 12 SC-APC Adapters only (no pigtails)
<b>HPP-12RSAN</b>	Adapter Plate 12 SC-APC (no pigtails)

### OTHER ACCESSORIES

<b>Model No.</b>	<b>Description</b>
<b>FST-AUNIV</b>	Splice Tray 24 Single / 6 Mass Fusion
<b>FSK-HCC</b>	Skirt Fixed 25"
<b>ASK-HCC</b>	Skirt Adjustable 25 – 51 Inch
<b>PMB-HCC</b>	Pole Mount Bracket Kit
<b>HCCE-PORT</b>	Cable Entry Split 3-Piece with Grommet
<b>HCCN-GROM</b>	Cable Entry Conduit ¾, 1, 1.5 Inch with Cone
<b>HCCR-GROM</b>	Cable Entry Rubber Grommet

*Note: Other options and accessories are also available - please contact Tii customer service.*