

FET4S Series

32F Indoor/Outdoor Fiber Distribution Enclosure

FTTx

MDU

PON

Utility/Municipality

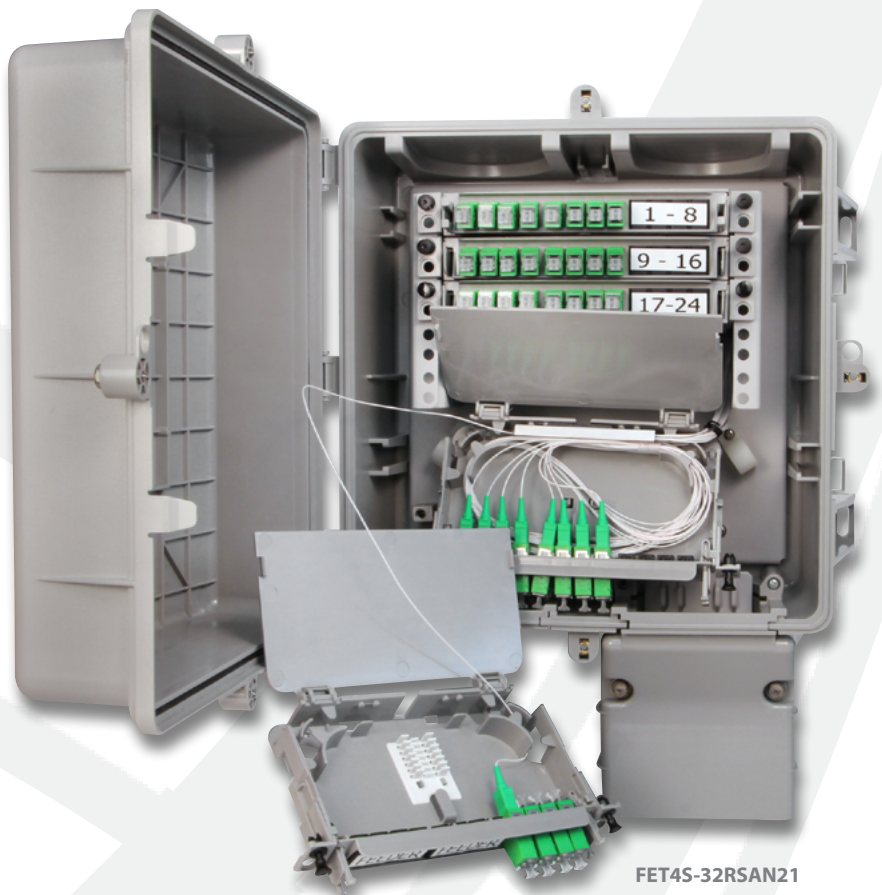


Tii Technologies Inc.

Corporate Headquarters:

141 Rodeo Drive
Edgewood, NY 11717
Phone: 631.789.5000
Toll Free: 888.844.4720
sales@tiitech.com

www.tiitech.com



FET4S-32RSAN21

The FET4 is an indoor/outdoor, weatherproof family of enclosures that can be pole or wall mounted. This compact enclosure is a high density modular cassette unit ideal for MDU, Commercial or PON solutions using the PLC Splitter (1xN) for up to 32 customer service ports. Its flexible design and options support a wide range of deployment styles including fusion splicing, field termination, X-connect and factory installed cable stubs.

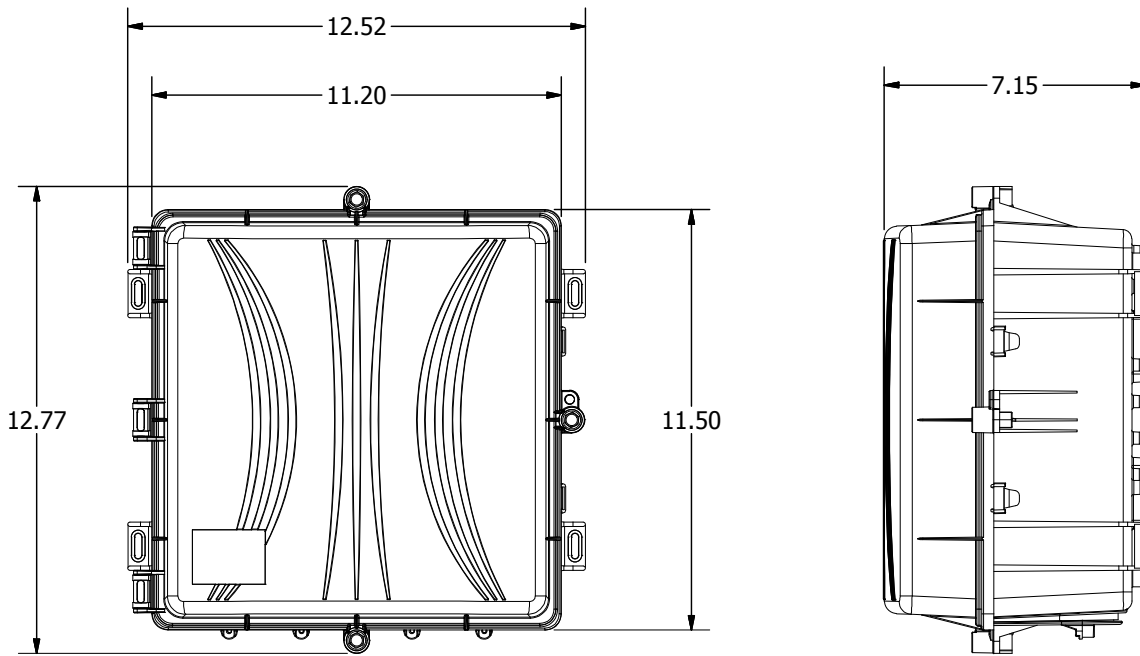
KEY PRODUCT BENEFITS

- ▶ Compact weatherproof design available with external ground, pigtails, splicing capabilities, custom stub lengths, and Tii PLC9 splitters
- ▶ High Density
- ▶ PON solution
- ▶ Modular patch & splice cassettes for added flexibility supporting 32F
- ▶ Ability to support mid-span cable access
- ▶ Multiple cable entry/exit modules for exact fit cable and conduit up to 1.5"
- ▶ Outer covers secured by 216 tool compatible 3/8" hex head bolt with padlock provisions
- ▶ Constructed of superior materials capable of withstanding harsh outdoor environments
- ▶ Pole and wall mount
- ▶ Factory installed stubs

INDUSTRY STANDARDS

- ▶ Designed to NEMA-4, GR-771 and GR-2898 Requirements
- ▶ Meets GR-1361-CORE "Severe Environmental Conditions" (-40°C – 80°C)
- ▶ cUL Listed

FET4S Series



Dimensions are in Inches

ORDERING INFORMATION

FET4S	—	XX	X	XX	X	X	X
		Fiber Ports	Fiber Type	Adapters	Pigtail	Splitter Type	Splitter Qty.
		12 24 32	R = Singlemode K = MM62.5 OM1 S = MM50 OM3	NA = None SC = SC/UPC SA = SC/APC	N = None 5 = 250um 9 = 900um R = Ribbon	0 = None 1 = 1x4 2 = 1x8 3 = 1x16 4 = 1x32	0-4