

FET4H Series

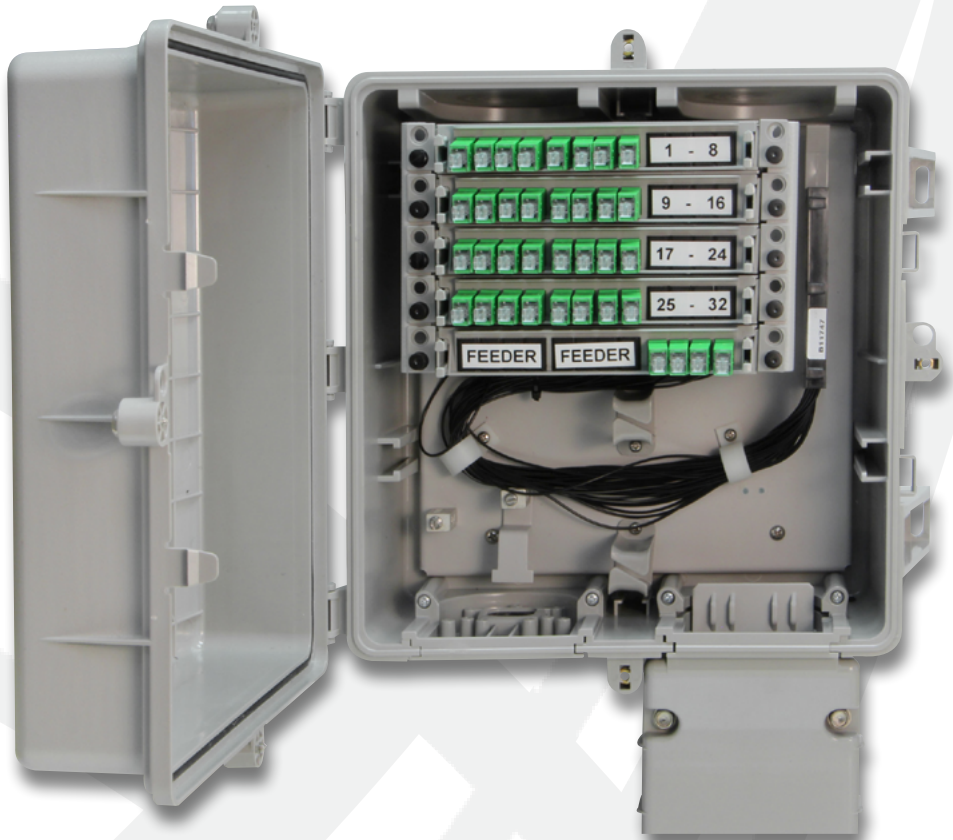
32F Indoor/Outdoor Fiber Distribution Enclosure

FTTx

MDU

PON

Utility/Municipality



FET4H-32R9SAN41

The FET4 is an indoor/outdoor, weatherproof family of enclosures that can be pole or wall mounted. This compact enclosure is a high density modular cassette unit ideal for MDU, Commercial or PON solutions using the LPS Series Low Profile 1xN PLC Splitter Module for up to 32 customer service ports. Its flexible design and options support a wide range of deployment styles including fusion splicing, field termination, X-connect and factory installed cable stubs.

KEY PRODUCT BENEFITS

- ▶ Compact weatherproof design available with external ground, pigtails, splicing capabilities, custom stub lengths, and Tii LPS splitters
- ▶ High Density
- ▶ Ability to support mid-span cable access
- ▶ Modular patch & splice cassettes for added flexibility supporting 32F
- ▶ Multiple cable entry/exit modules for exact fit cable and conduit up to 1.5"
- ▶ Outer covers secured by 216 tool compatible 3/8" hex head bolt with padlock provisions
- ▶ Constructed of superior materials capable of withstanding harsh outdoor environments
- ▶ Pole and wall mount

INDUSTRY STANDARDS

- ▶ Designed to NEMA-4, GR-771 and GR-2898 Requirements
- ▶ Meets GR-1361-CORE Severe Environmental Conditions (-40°C – 80°C)
- ▶ cUL Listed



Tii Technologies Inc.

Corporate Headquarters:

141 Rodeo Drive

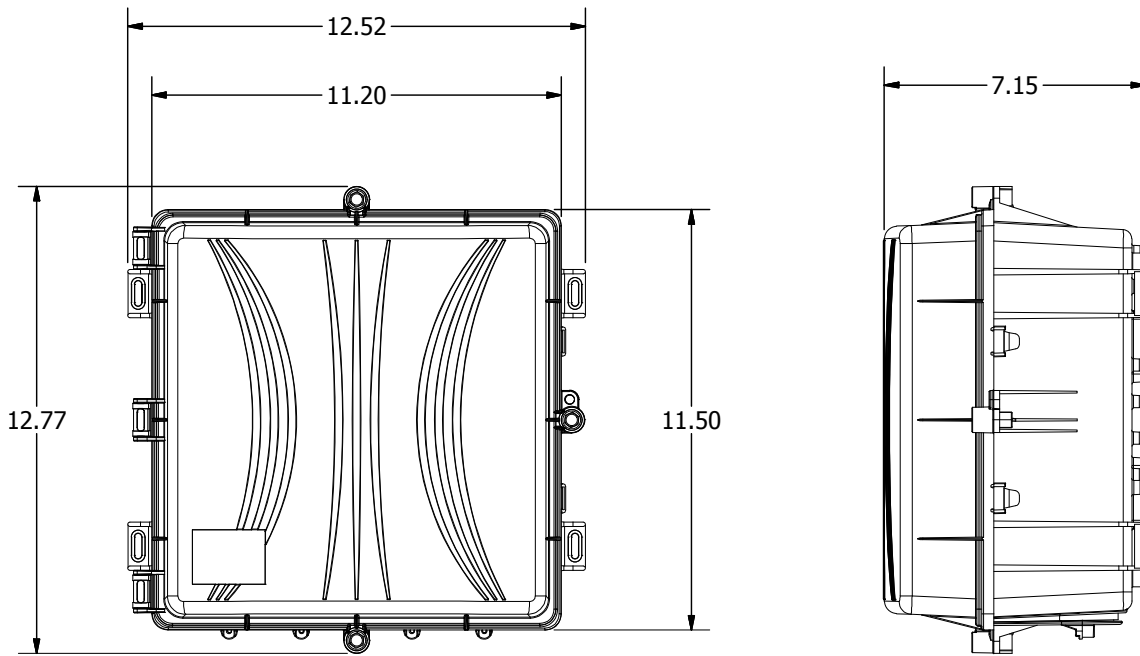
Edgewood, NY 11717

Phone: 631.789.5000

Toll Free: 888.844.4720

sales@tiitech.com

FET4H Series



Dimensions are in Inches

ORDERING INFORMATION

FET4H	—	XX	X	XX	X	X	X
		Fiber Ports	Fiber Type	Adapters	Pigtail	Splitter Type	Splitter Qty.
		8	R = Singlemode	NA = None	N = None	0 = None	0-4
		12	K = MM62.5 OM1	SC = SC/UPC	5 = 250um	1 = 1x4	
		24	S = MM50 OM3	SA = SC/APC	9 = 900um	2 = 1x8	
		32			R = Ribbon	3 = 1x16	
						4 = 1x32	