

## FET4G Series

### 48F Outdoor Fiber Demarcation Enclosure

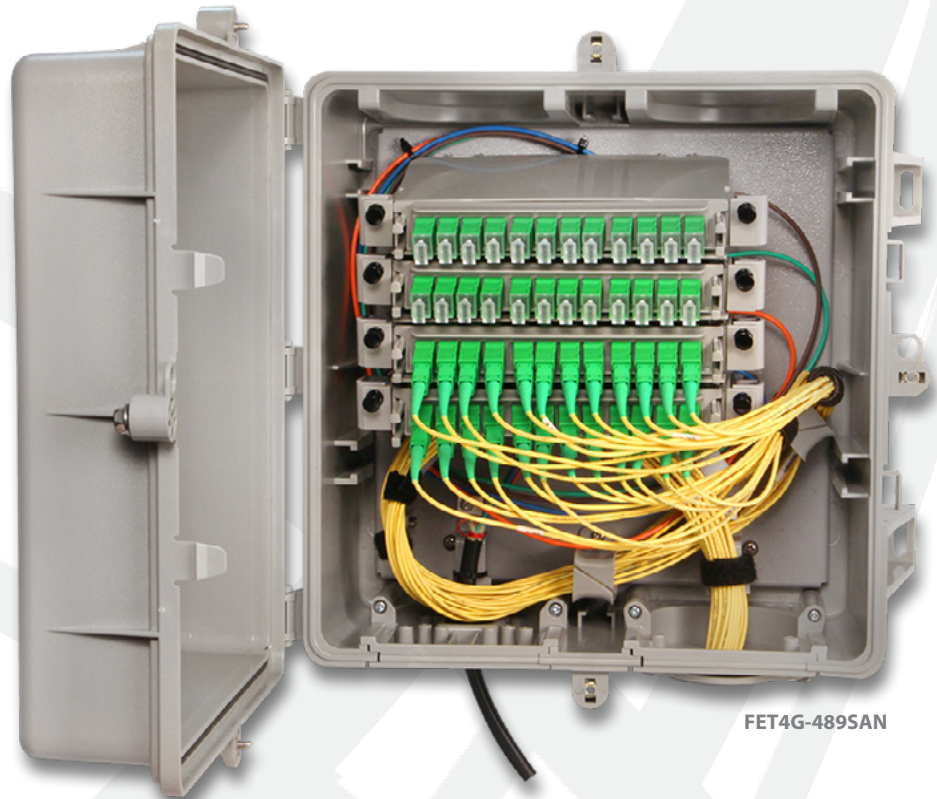
CPE/Premise Wiring

FTTx

MDU

Utility/Municipality

Wireless



FET4G-489SAN

The FET4 Outdoor Fiber Demarcation Enclosure is a compact unit designed for connectivity between OSP and customer fiber drops. This weatherproof enclosure is ideally suited for outdoor pole or wall mount installations. The FET4 utilizes high density modular cassettes for patch and splice solutions for up to 48 customer service drops. A flexible design supports a wide range of deployment styles including fusion splicing and field termination.

#### KEY PRODUCT BENEFITS

- ▶ Provides demarcation point between outdoor fiber drop and customer premise fiber
- ▶ High Density
- ▶ Modular patch & splice cassettes for added flexibility supporting 48F
- ▶ Ability to support Mid-span cable access
- ▶ Multiple cable entry/exit modules for exact fit cable and conduit up to 1.5"
- ▶ Outer covers secured by 216 tool compatible 3/8" hex head bolt with padlock provisions Constructed of superior materials capable of withstanding harsh outdoor environments, chemical exposure, and extreme temperatures
- ▶ Pole and wall mount

#### INDUSTRY STANDARDS

- ▶ Designed to NEMA-4, GR-771 and GR-2898 Requirements
- ▶ Meets GR-1361-CORE Severe Environmental Conditions (-40°C – 80°C)
- ▶ cUL Listed



**Tii Technologies Inc.**

**Corporate Headquarters:**

141 Rodeo Drive

Edgewood, NY 11717

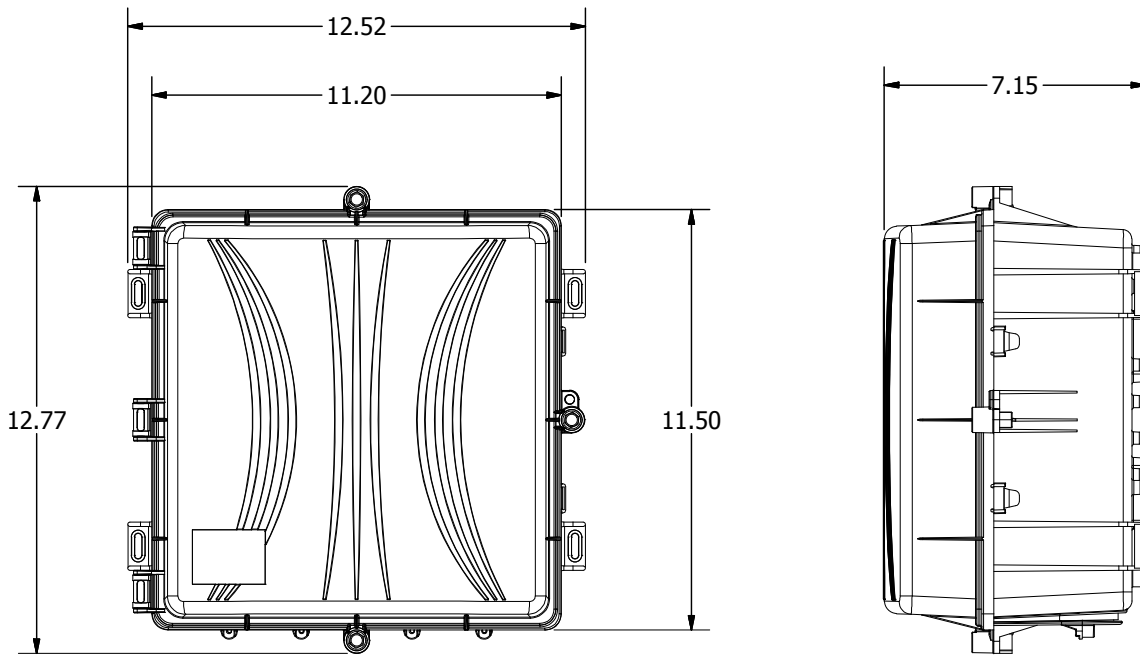
Phone: 631.789.5000

Fax: 631.789.5063

Toll Free: 888.844.4720

sales@tiitech.com

# FET4G Series



Dimensions are in Inches

## ORDERING INFORMATION

FET4G	—	XX	X	XX	X
		Fiber Ports	Fiber Type	Adapters	Pigtail
		12	R = Singlemode	NA = None	N = None
		24	K = MM62.5 OM1	SC = SC/UPC	5 = 250um
		36	S = MM50 OM3	SA = SC/APC	9 = 900um
		48		LC = LC/UPC	R = Ribbon
				LA = LC/APC	M = 12F MPO Connector

## COMMON CONFIGURATIONS

Model #	Description	Standard Pkg.
<b>FET4G-48RSAM</b>	48 Port, 12 Fiber MPO Input Cassette, SC-APC Adapters, 900um Pigtails	15" x 15" x 10" 6 lbs.
<b>FET4G-48RSA9</b>	48 Port, Single Fusion Input Cassette, SC-APC Adapters, 900um Pigtails	
<b>FET4G-48RNAN</b>	48 Port, Single Fusion Input Cassette for Splice Only	

INFORMATION CONTAINED IN THIS PUBLICATION IS PROVIDED ONLY FOR YOUR CONVENIENCE AND IS SUBJECT TO CHANGE WITHOUT NOTICE. TII TECHNOLOGIES MAKES NO REPRESENTATIONS OR WARRANTIES OF ANY KIND WHETHER EXPRESS OR IMPLIED, WRITTEN OR ORAL, STATUTORY OR OTHERWISE, RELATED TO THE INFORMATION, INCLUDING BUT NOT LIMITED TO ITS CONDITION, QUALITY, PERFORMANCE, MERCHANTABILITY OR FITNESS FOR PURPOSE; AND TII TECHNOLOGIES DISCLAIMS ALL LIABILITY ARISING FROM THE USE OF THIS INFORMATION.