

## FET3 Series

### 24F Outdoor Fiber Demarcation Enclosure

CPE/Premise Wiring

DOT

FTTx

MDU

PON



**Tii Technologies Inc.**

**Corporate Headquarters:**

141 Rodeo Drive  
Edgewood, NY 11717

Phone: 631.789.5000

Fax: 631.789.5063

Toll Free: 888.844.4720

sales@tiitech.com

www.tiitech.com



FET3G-24RSA900

The FET3 Outdoor Fiber Demarcation Enclosure is a compact unit which features connectivity between the OSP fiber drops and customer fiber drops. This weatherproof design is ideally suited for outdoor pole or wall mount installations and is configured for up to 24 patch and splice fiber terminations.

#### KEY PRODUCT BENEFITS

- ▶ Provides demarcation point between outdoor fiber drop and customer premise fiber
- ▶ Constructed of superior materials capable of withstanding harsh outdoor environments, including UV degradation, chemical exposure, and extreme temperatures
- ▶ Outer covers secured by 216 tool compatible 3/8" hex head bolt with padlock provisions

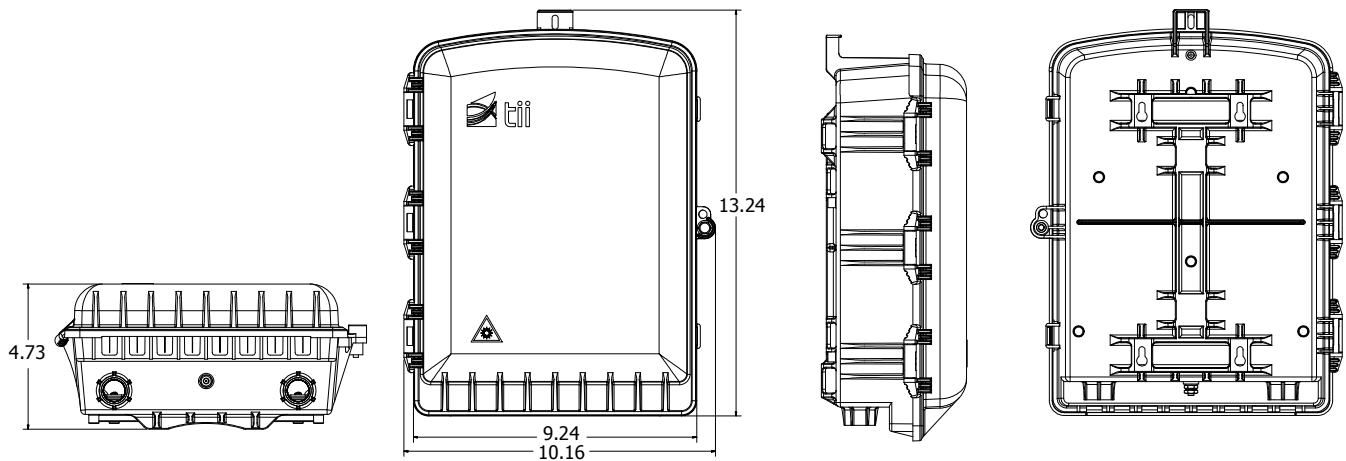
#### Improved Fiber Management:

- ▶ Upgraded to a single 24F splice tray which replaces two trays, enabling simplified pigtail management
- ▶ Broader spacing of fiber adapters, stepped feature improves accessibility and facilitates installation
- ▶ Additional lances provide strain relief and multiple routing options using Velcro or cable ties
- ▶ Integrated splice tray with PLC splitter storage
- ▶ Strain reliefs accommodate compression fittings for feeder fiber with grounding provisions

#### INDUSTRY STANDARDS

- ▶ Meets NEMA-4, GR-771 and GR-2898 Requirements
- ▶ cUL Listed

# FET3 Series



Dimensions are in Inches

## ORDERING INFORMATION

FET3G—	XX	X	XX	XX	X	X
	Fiber Ports	Fiber Type	Adapters	Pigtails	Splitter Type	Splitter Qty.
	04	R = Singlemode	LC = LC	N = None	0 = None	0-2
	08	K = MM62.5 OM1	SC = SC	5 = 250um Pigtails	1 = 1x4	
	12	S = MM50 OM3	SA = SC APC	9 = 900um Pigtails	2 = 1x8	
	16			R = 12 Fiber Ribbon Pigtail	3 = 1x16	
	24					

## COMMON CONFIGURATIONS

Model #	Description	Standard Pkg.
<b>FET3G-16RSAN00</b>	Fiber Entry Terminal 16 Port Patch Panel SC-APC Adapters	1 ea. 15" x 12" x 6" - 4 lbs.
<b>FET3G-16RSA900</b>	Fiber Entry Terminal 16 Port Patch and Splice Panel SC-APC SM 900um Pigtails	
<b>FET3G-16RSAN21</b>	Fiber Entry Terminal 16 Port Patch Panel SC-APC 1x8 Splitter	
<b>FET3G-16RSAN22</b>	Fiber Entry Terminal 16 Port Patch Panel SC-APC Dual 1x8 Splitter	
<b>FET3G-24RSAN00</b>	Fiber Entry Terminal 24 Port Patch Panel SC-APC	
<b>FET3G-24RSA900</b>	Fiber Entry Terminal 24 Port Patch and Splice Panel SC-APC SM 900um Pigtails	

## ACCESSORIES

Model #	Description
<b>FET3-WMKIT</b>	FET3 Stand Off Wall Mount Kit
<b>ASK-FET3</b>	Adjustable Skirt, 32" to 50" Long, Gray, Fiber Entry Terminal
<b>FSK-FET3</b>	Fixed Skirt, 40" Long, Gray, Fiber Entry Terminal
<b>FSK-FET3-12</b>	Fixed Skirt, 12" Long, Gray, Fiber Entry Terminal
<b>FSK-FET3-24</b>	Fixed Skirt, 24" Long, Gray, Fiber Entry Terminal
<b>KT-CG-NPT-1/2</b>	Cable Compression Gland NPT 1/2"

