

FET2 Series

Fiber Entrance Terminal

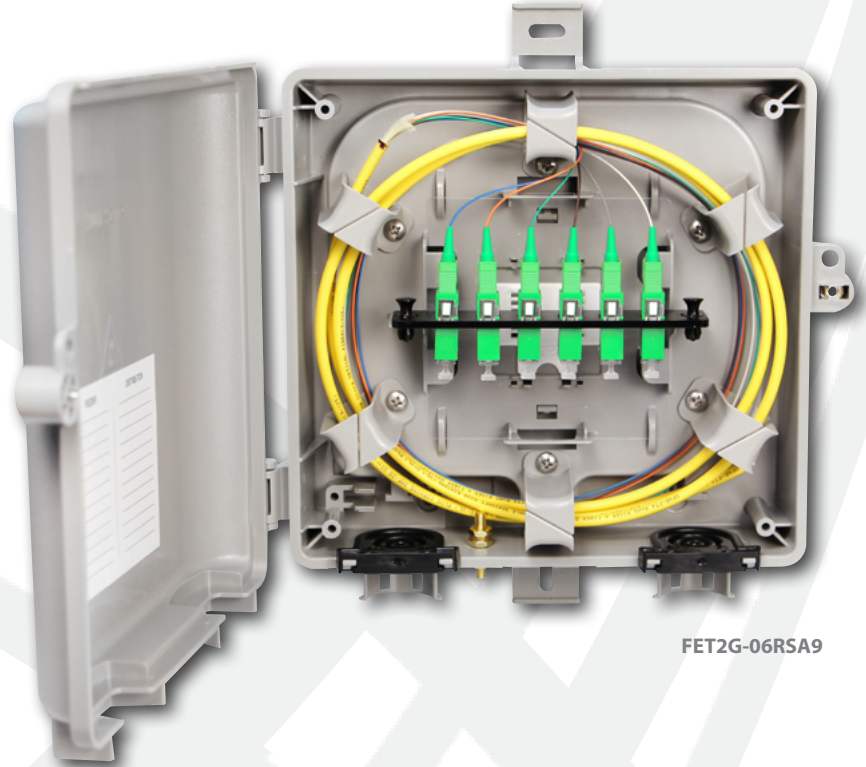
CPE/Premise Wiring

DOT

FTTx

MDU

PON



FET2G-06RSA9

The FET2 is a compact unit which features connectivity between the OSP fiber drop and customer fiber drop and slack storage. The unit is configurable for up to 12 fiber terminations.

KEY PRODUCT BENEFITS

- ▶ Indoor/outdoor for wall and pole mounting
- ▶ Provides demarcation point between outdoor fiber drop and customer premise fiber
- ▶ Constructed of superior materials capable of withstanding harsh outdoor environments, including UV degradation, chemical exposure, and extreme temperatures
- ▶ Up to 12 fiber ports for OSP to customer fiber transitions
- ▶ Integrated and removable splice tray assembly
- ▶ Entry grommets accept up to 1 inch conduit with provision for tie wrap retention
- ▶ 2X internal tie down features for proper strain relief of fiber cables
- ▶ Hinged cover fits securely on the base to provide maximum protection against environmental conditions and intrusion of foreign matter, protecting sensitive fiber connectivity
- ▶ Cover closes securely with 3/8" hex head bolt and has a provision for a tie-wrap
- ▶ Allows for mid-span access of cable

INDUSTRY STANDARDS

- ▶ Meets GR-771 Requirements



Tii Technologies Inc.

Corporate Headquarters:

141 Rodeo Drive
Edgewood, NY 11717

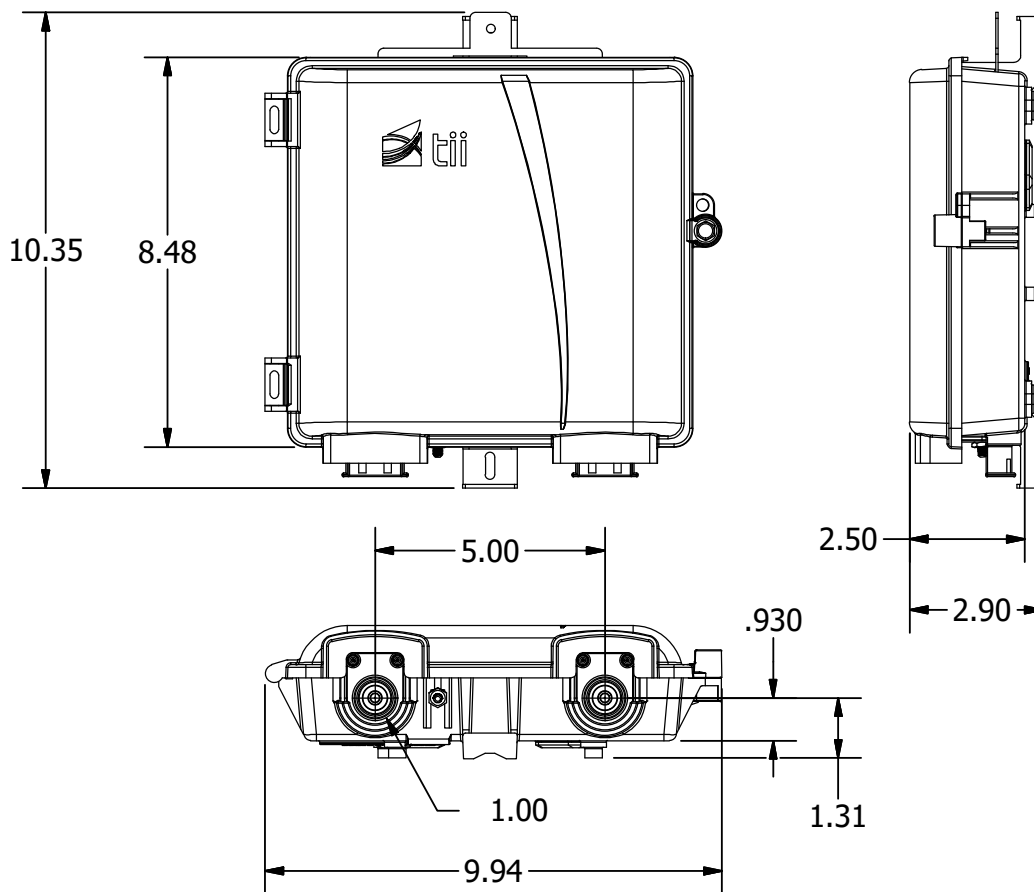
Phone: 631.789.5000

Fax: 631.789.5063

Toll Free: 888.844.4720

sales@tiitech.com

FET2 Series



Dimensions are in Inches

ORDERING INFORMATION

Model No.	Description	Standard Pkg.
FET2G	Fiber Entry Terminal, Empty, 1 LGX Adapter Plate Capacity	5 each, 11" x 11" x 16" - 8.4 lbs.

CUSTOM MODEL NUMBER MATRIX

FET2G —	XX	X	XX	XX	Splitter Type	Splitter Qty.
	Fiber Ports	Fiber Type	Adapters	Pigtails		
	01-06	R = Singlemode	LC = LC-UPC	N = Patch Only	0 = None	0-2
	08*	K = MM62.5 OM1	LA = LC-APC	5 = 250um Pigtails	1 = 1x4	
	10*	S = MM50 OM3	SC = SC-UPC	9 = 900um Pigtails	2 = 1x8	
	12*		SA = SC-APC	R = 12 Fiber Ribbon Pigtail		

*08, 10, 12 - Duplex Adapters