

509R Series

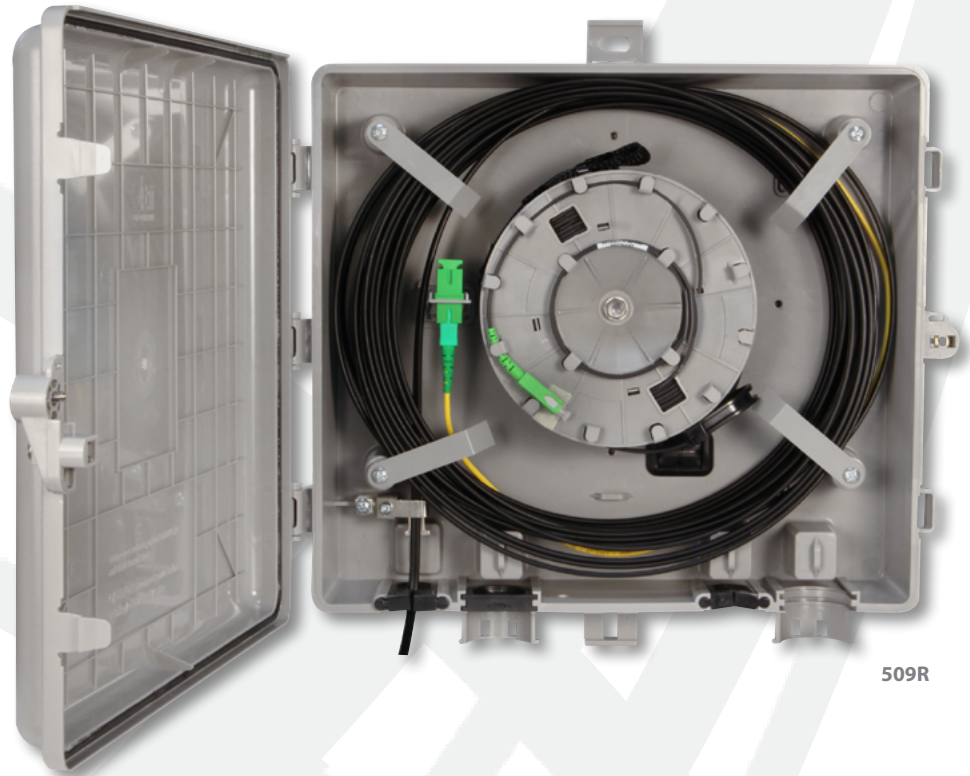
Reeled Fiber Dispenser

CPE/Premise Wiring

FTTx

PON

Utility/Municipality



Tii's 509R Series Plug & Play Reeled Fiber Dispenser is designed to provide demarcation between OSP fiber drop and customer distribution fiber. This unit features a slack storage provision which accommodates up to 75ft of pre-connectorized OSP flat drop cable. The fiber drop is connected to the distribution fiber using an SC adapter, thus establishing a demarcation and test access point. The unit is preloaded with up to 125 feet of connectorized distribution fiber stored on a rotating reel for distribution into the home; facilitating a fast FTTH deployment. One of the deployment options is Tii's OFNR rated Indoor/Outdoor Peelable MicroDrop Cable, the Z1K9R8 Series.

KEY PRODUCT BENEFITS

- ▶ Reeled customer distribution fiber speeds installation
- ▶ Provision to lock reel in place after fiber deployment
- ▶ Equipped with pre-connectorized fiber
- ▶ Slack storage provision accommodates up to 75 ft of OSP Flat Drop cable
- ▶ 30mm bend radius designed to accommodate G.652 or G.657 drop fiber
- ▶ SC adapter provides demarcation and test point between drop and customer fiber
- ▶ Provision for two fusion splice sleeves
- ▶ Convenient tie wrap lances for drop and distribution fibers
- ▶ Cover closes securely with 3/8" hex head bolt and has a provision for a security seal
- ▶ 1/2" grommet kits compatible with Tii's RTK Series Riser Tube
- ▶ Bottom grommets (Positions B & D) accept up to 1 inch conduit with tie-wrap provision

INDUSTRY STANDARDS

- ▶ Designed to GR-409, GR-326, GR-20, G.652, G.657



Tii Technologies Inc.

Corporate Headquarters:

141 Rodeo Drive
Edgewood, NY 11717

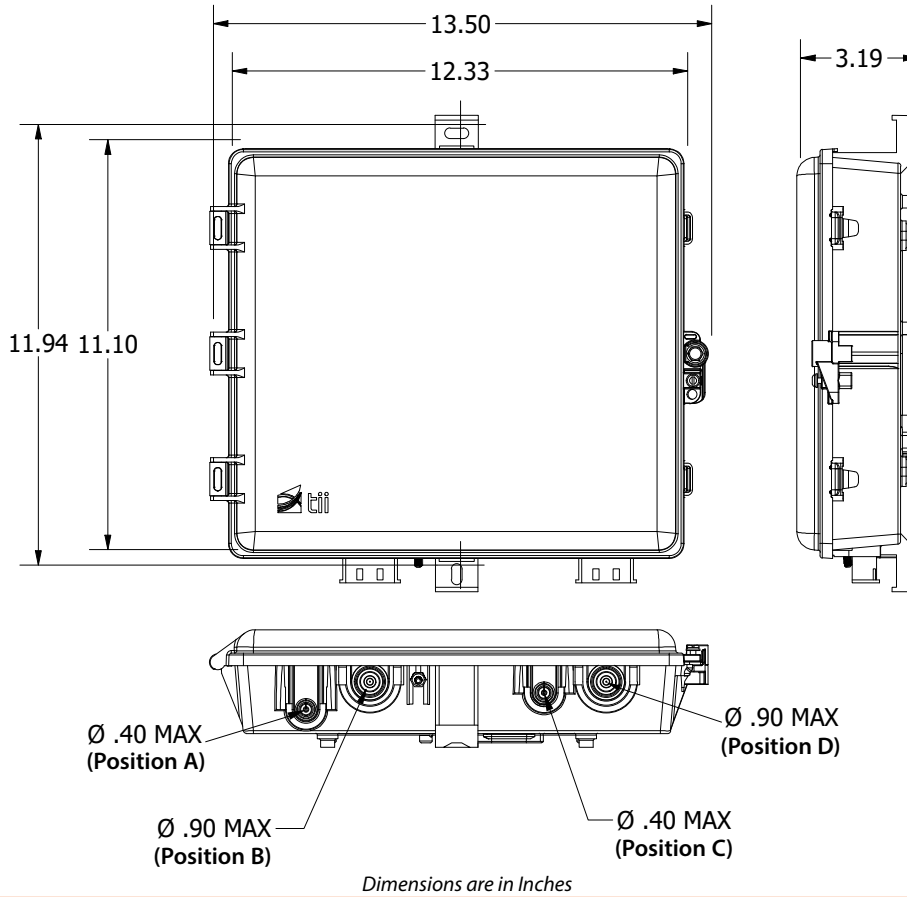
Phone: 631.789.5000

Fax: 631.789.5063

Toll Free: 888.844.4720

sales@tiitech.com

509R Series



CUSTOM MODEL NUMBER MATRIX

509R	-XX	-XX	-XX	-XXX	X	-XX
	Cable Type	Adapter Type	Adapter Qty	Length in FT	Grommets (Optional)	Optional Pre-Peel
	K9 = MicroDrop	01 = SC-APC 02 = SC-UPC	01 = 1 02 = 2	025 050 075 100 125	None = 4 Standard Grommets C = 2 Conduit Grommets, 2 Standard Grommets (Pos. B-D) G = 3 Standard Grommets, 1 Conduit Grommet, 1/2" (Pos. B) P = 2 Standard Grommets, 1 Conduit Grommet, 1/2" (Pos. B), 1 Compression Grommet, 1/2" (Pos. D)	Blank = No Pre-Peel, No Pull Sock PE = No Pre-Peel, with Pull Sock 01 = 1/4" of Peel Exposed with No Pull Sock 02 = 1/4" of Peel Exposed with Pull Sock

ACCESSORIES

Model No.	Description
509R-GRM-KIT	Grommets for 509R Standard Grommet (2 ea.)
509R-CMP-GRM-KIT1/2	Grommets for 509R 1/2" Compression Entry (2 ea.)
509R-CON-GRM-KIT1/2	Grommets for 509R 1/2" Conduit Entry (2 ea.)

