

## 508F Series

### *Fiber Interface Device/Slack Storage Unit*

CPE/Premise Wiring

DOT

FTTx

MDU

PON



**Tii Technologies Inc.**

**Corporate Headquarters:**

141 Rodeo Drive  
Edgewood, NY 11717  
Phone: 631.789.5000  
Fax: 631.789.5063  
Toll Free: 888.844.4720  
sales@tiitech.com

www.tiitech.com



The 508F Fiber Interface Device/Slack Storage is a compact unit featuring connectivity between the 1-12F OSP fiber drop and customer fibers, as well as slack storage for up to 50 feet of OSP fiber drop. The unit contains intuitive internal fiber management features, and utilizes an o-ring door seal resistant to water ingress. This weatherproof design is ideally suited for outdoor pole or wall mount installations.

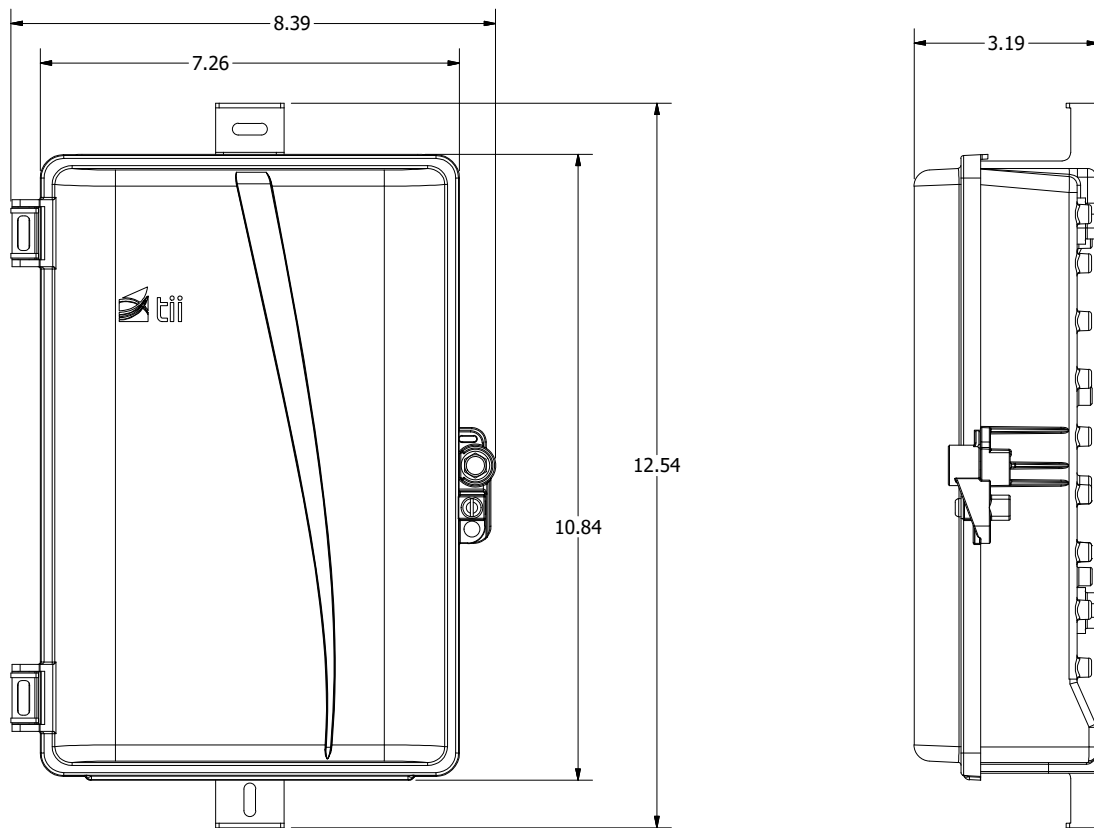
### KEY PRODUCT BENEFITS

- ▶ Provides demarcation point between outdoor fiber drop and customer premise fiber
- ▶ Constructed of superior materials capable of withstanding harsh outdoor environments, including UV degradation, chemical exposure, and extreme temperatures
- ▶ Designed for rigid drop fiber installations with up to 3 inch bend radius
- ▶ Fiber slack management clips retain OSP and bend sensitive fiber
- ▶ Entry grommets accept up to 1 inch conduit with provision for tie wrap retention
- ▶ 2X internal tie down features for proper strain relief of fiber cables
- ▶ Knockouts on back provide alternate entry scheme for fiber mini duct tubing
- ▶ An o-ring seal between cover and base to provides maximum protection against environmental conditions and intrusion of foreign matter, protecting sensitive fiber connectivity
- ▶ Cover closes securely with 3/8" hex head bolt and has a provision for a lock or tie wrap
- ▶ Optional lower grommet available designed for 1" conduit entry
- ▶ Suitable for outdoor pole or wall mount installations

### INDUSTRY STANDARDS

- ▶ Designed to GR-2898

# 508F Series



Dimensions are in Inches

## ORDERING INFORMATION

508F -XX	-XX	-XX	-X	X
Adapter Plate	Adapter Type	# of Adapters	Configuration Options	Grommets (Optional)
01 = Fiber Plate (1, 2, or 4 adapters only)	01 = SC/APC	01 = 1	N = None	None = 2 Standard Grommets
02 = Fiber Plate (6 Adapters)	02 = SC/UPC	02 = 2	C = Cable Entry Clamp	C = 2 Conduit Grommets
03 = 1.5" Fiber Storage Tray	03 = LC/APC	03 = 3	E = External Ground	G = 1 Standard Grommet, 1 Conduit Grommet
04 = Fiber Plate (12 Adapters)	04 = LC/UPC	04 = 4	D = External Ground and Cable Entry Clamp Installed	
		06 = 6		
		12 = 12		

## ACCESSORIES

<b>508F-GRM-KIT</b>	Grommets for 508F (2 ea.)
<b>508F-CON-GRM-KIT</b>	Grommets for 508F 1" Conduit Entry (2 ea.)



**508F-GRM-KIT**



**508F-CON-GRM-KIT**