

507F-SPL

48F Indoor/Outdoor Splice Housing

CPE/Premise Wiring

DOT

FTTx

MDU

PON



Tii Technologies Inc.

Corporate Headquarters:

141 Rodeo Drive
Edgewood, NY 11717
Phone: 631.789.5000
Fax: 631.789.5063
Toll Free: 888.844.4720
sales@tiitech.com

www.tiitech.com



507F-SPL01

The 507F-SPL Outdoor Splice Enclosure is a compact unit which can accommodate up to Two (2) FST-ASF24 24-fiber splice trays.

This weatherproof design is ideally suited for outdoor pole or wall mount installations and is configured to accommodate up to 48F splicing.

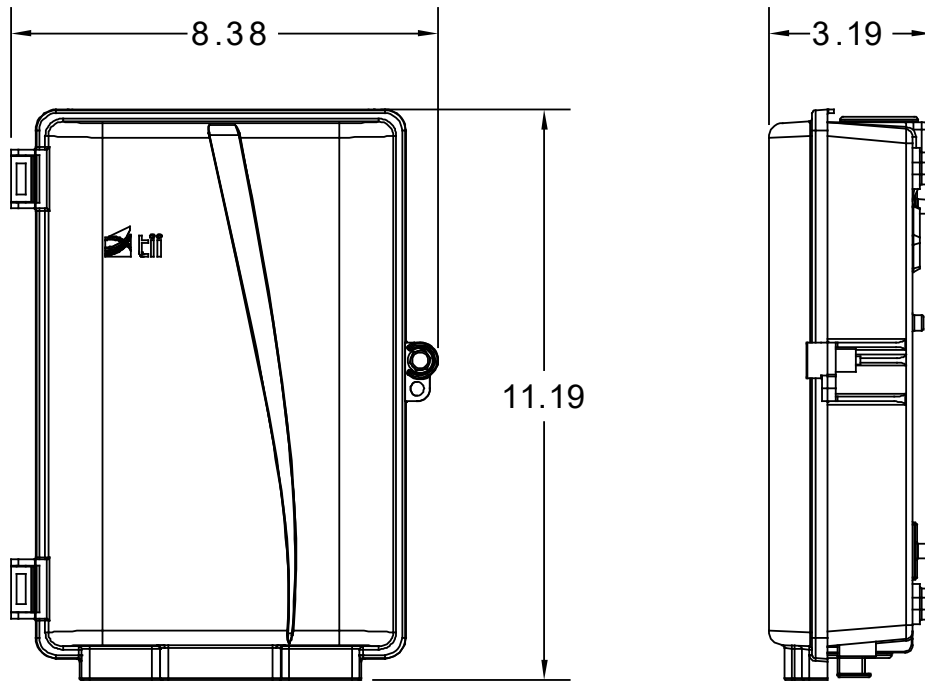
KEY PRODUCT BENEFITS

- ▶ Provides splice point between outdoor fiber cable and indoor cable
- ▶ Can be used as a riser accumulation splice point in MDU/MTU's
- ▶ Constructed of superior materials capable of withstanding harsh outdoor environments, including UV degradation, chemical exposure, and extreme temperatures
- ▶ Entry grommets accept up to 1 inch conduit with provision for tie wrap retention
- ▶ 2X internal tie down features for proper strain relief of fiber cables
- ▶ Knockouts on back provide alternate entry scheme for fiber mini duct tubing
- ▶ Hinged cover fits securely on the base to provide maximum protection against environmental conditions and intrusion of foreign matter, protecting sensitive fiber connectivity. Cover closes securely with 3/8" hex head bolt and has a provision for a tie-wrap.

INDUSTRY STANDARDS

- ▶ TPR-9459
- ▶ Meets GR-771 Requirements
- ▶ cUL Listed to 1863

507F-SPL



Dimensions are in Inches

ORDERING INFORMATION

Model #	Description
507F-SPL01	507F Splice Housing Equipped with One (1) FST-ASF24 Splice Tray
507F-SPL02	507F Splice Housing Equipped with Two (2) FST-ASF24 Splice Trays

ACCESSORIES

Model #	Description
FST-ASF24	Splice Tray 24 Single Fusion
FST-AMF06	Splice Tray 6 Mass Fusion 72 Fibers
FST-AUNIV	Splice Tray Universal 24 Single / 6 Mass Fusion