

506R Series

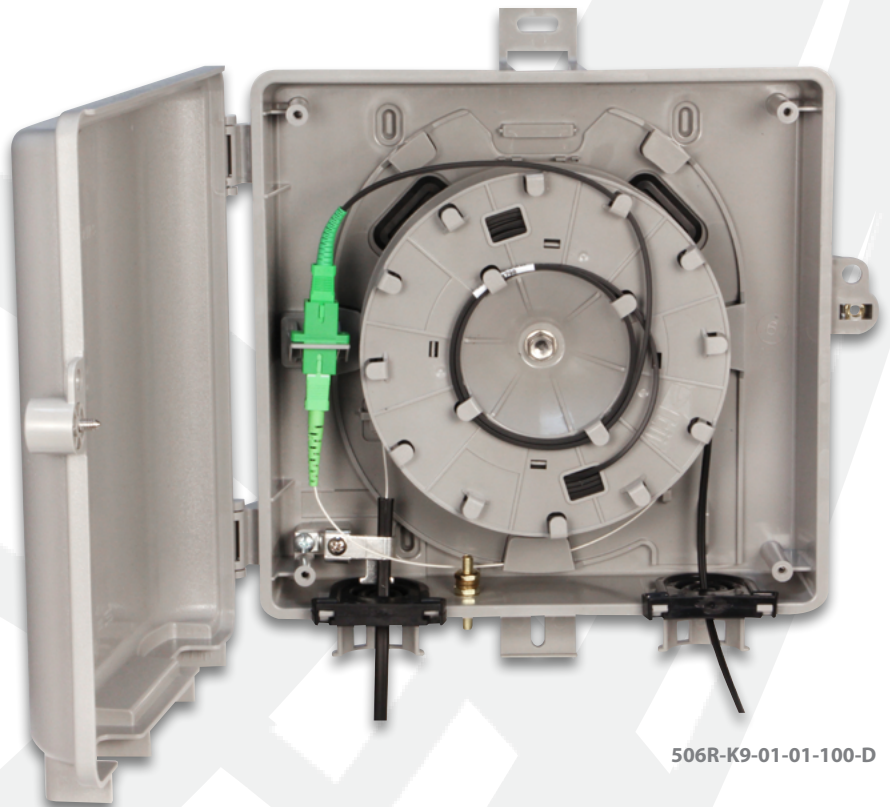
Reeled Fiber Dispenser

CPE/Premise Wiring

FTTx

PON

Utility/Municipality



506R-K9-01-01-100-D

Tii's 506R Series Reeled Fiber Dispenser is an indoor/outdoor pole and wall mount compact unit designed to provide demarcation between OSP fiber drop and customer distribution fiber. Fiber drop can be fusion spliced or connected to the distribution fiber using an SC adapter, thus establishing a demarcation and test access point. The unit is preloaded with up to 125 feet of connectorized fiber stored on a rotating reel for distribution into the home, facilitating a fast FTTH deployment. One of the deployment options is Tii's OFNR rated Indoor/Outdoor Peelable Microdrop Cable, the Z1K9R8 Series.

KEY PRODUCT BENEFITS

- ▶ Reeled customer distribution fiber speeds installation
- ▶ Provision to lock reel in place after fiber deployment
- ▶ Equipped with pre-connectorized fiber
- ▶ 30mm bend radius designed to accommodate G.652 or G.657 drop fiber
- ▶ SC adapter provides demarcation and test point between drop and customer fiber
- ▶ Provision for two fusion splice sleeves
- ▶ Optional cable entry clamp and internal/external ground stud
- ▶ Cover closes securely with 3/8" hex head bolt and has a provision for a security seal
- ▶ 1/2" grommet kits compatible with Tii's RTK Series Riser Tube

INDUSTRY STANDARDS

- ▶ Designed to GR-409, GR-326, GR-20, G.652, G.657
- ▶ Meets GR-1361-CORE Severe Environmental Conditions (-40°C–80°C)

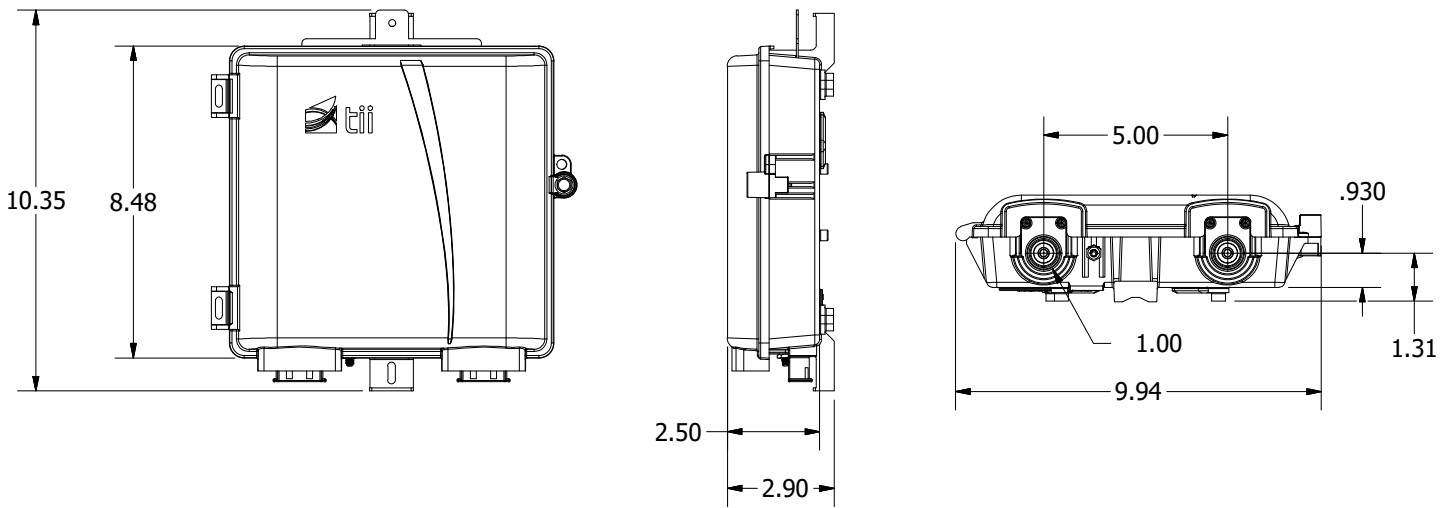


Tii Technologies Inc.

Corporate Headquarters:

141 Rodeo Drive
Edgewood, NY 11717
Phone: 631.789.5000
Toll Free: 888.844.4720
sales@tiitech.com

506R Series



Dimensions are in Inches

CUSTOM MODEL NUMBER MATRIX

506R	-XX	-XX	-XX	-XXX	-X	X	-XX
Housing	Cable Type	Adapter Type	Adapter Qty	Length in FT	Configuration Options	Grommets (Optional)	Optional Pre-Peel
	K9 = MicroDrop KD = Duplex*	01 = SC-APC 02 = SC-UPC	01 = 1 02 = 2	025 050 075 100 125	N = None C = Cable Entry Clamp E = External Ground D = External Ground and Cable Entry Clamp Installed	Blank = 2 Standard Grommets C = (2) 1/2" Conduit Grommets G = 1 Standard Grommet, (1) 1/2" Conduit Grommet	Blank = No Pre-Peel, No Pull Sock PE = No Pre-Peel, with Pull Sock 01 = 1/4" of Peel Exposed with No Pull Sock 02 = 1/4" of Peel Exposed with Pull Sock

* KD Duplex cable only accomodates up to a 75ft. length

ACCESSORIES

Model No.	Description
506F-GRM-KIT	Grommets for 506F Standard Grommet (2 ea.)
506F-CMP-GRM-KIT	Grommets for 506F 1/2" Compression Entry (2 ea.)
506F-CON-GRM-KIT1/2	Grommets for 506F 1/2" Conduit Entry (2 ea.)
506F-CON-GRM-KIT3/4	Grommets for 506F 3/4" Conduit Entry (2 ea.)

ACCESSORY OPTIONS

