

## 506F Series

### Fiber Interface Device/Slack Storage Unit

CPE/Premise Wiring

DOT

FTTx

PON

Utility/Municipality



506F-01-01-01-N

Tii's 506F Fiber Interface Device/Slack Storage Unit is a compact unit which provides demarcation between the OSP fiber drop and customer fiber drop, as well as slack storage for up to 50ft. of customer drop fiber. The 506F is configurable for up to twelve fibers adapters.

#### KEY PRODUCT BENEFITS

- ▶ Slack storage for up to 50 feet of fiber
- ▶ Multiple slack storage and adapter plate configurations available:
  - 4 port patch with 2 fusion splice capacity
  - 6 port patch only
  - 12 port patch only
- ▶ Hardened fiber connector compatible adapter provision - either at cable entry port or internal bracket
- ▶ Optional cable entry clamp and internal/external ground stud
- ▶ Corner slack retention for "springy" OSP drop cable or buffer tubes
- ▶ Multiple slack management tie down points
- ▶ Bottom grommets accept up to 1 inch conduit with tie-wrap provision
- ▶ Grommets on back provide rear fiber entry or exit
- ▶ Cover closes securely with 3/8" hex head bolt and has a provision for a security seal

#### INDUSTRY STANDARDS

- ▶ Designed to GR-771

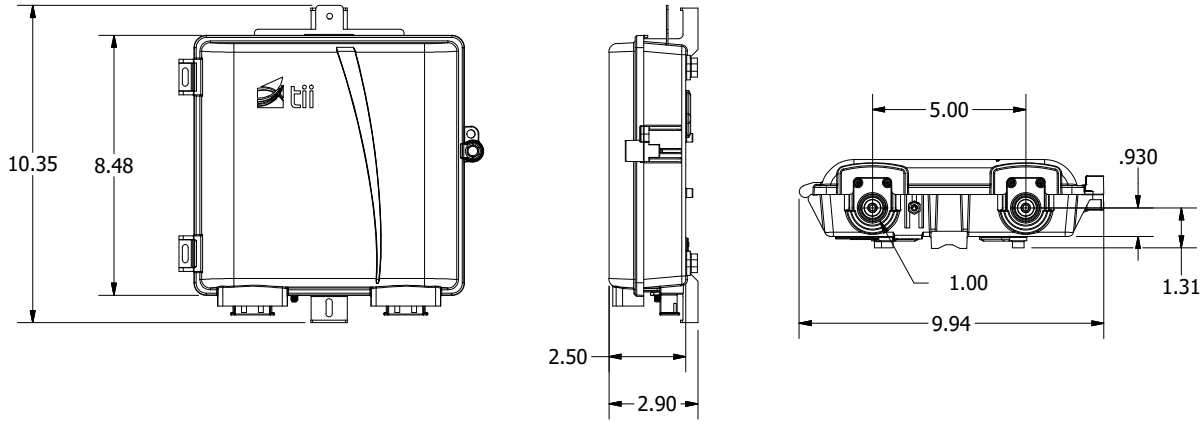


**Tii Technologies Inc.**

**Corporate Headquarters:**

141 Rodeo Drive  
Edgewood, NY 11717  
Phone: 631.789.5000  
Fax: 631.789.5063  
Toll Free: 888.844.4720  
sales@tiitech.com

# 506F Series



Dimensions are in Inches

## ORDERING INFORMATION

Model No.	Description	Standard Pkg.
<b>506F-01-01-01-N</b>	Fiber Interface Device 1 Port SC-APC	5 ea. 11"x11"x16" - 6.5 lbs.
<b>506F-01-01-02-N</b>	Fiber Interface Device 2 Port SC-APC	5 ea. 11"x11"x16" - 6.7 lbs.
<b>506F-02-01-06-N</b>	Fiber Interface Device 6 Port SC-APC	5 ea. 11"x11"x16" - 12 lbs.
<b>506F-04-01-12-N</b>	Fiber Interface Device 12 Port SC-APC	5 ea. 11"x11"x16" - 15 lbs.
<b>506F-05-00-00-N</b>	Fiber Interface Device with Hardened Fiber Connector Compatible Mounting Bracket	5 ea. 11"x11"x16" - 8 lbs.
<b>506F-05-0T-01-N</b>	Fiber Interface Device with Hardened Fiber Connector Compatible Adapter	5 ea. 11"x11"x16" - 10 lbs.

## CUSTOM MODEL NUMBER MATRIX

506F	-XX	-XX	-XX	-X
	Adapter Mounting Options	Adapter Type	# of Ports	Configuration Options
	01 = Fiber Plate (1, 2, or 4 adapters only)	01 = SC-APC	01 = 1	N = None
	02 = Fiber Plate (6 Adapters)	02 = SC-UPC	02 = 2	C = Cable Entry Clamp
	04 = Fiber Plate (12 Adapters)		04 = 4	E = External Ground
			06 = 6	D = External Ground and
			12 = 12	Cable Entry Clamp Installed

## ACCESSORIES

Model No.	Description	Standard Pkg.
<b>BKT-506F-OT</b>	Mounting Bracket, Hardened Fiber Connector Compatible Adapter (not included)	100 ea. 6" x 10" x 13" - 10 lbs.
<b>FP01-01-01</b>	Fiber Adapter Plate Slack Ring with SC-APC Adapter	50 ea. 8" x 9" x 23" - 5 lbs.
<b>506F-OC</b>	Hardened Fiber Connector Mounting Collar with Rubber Boot	

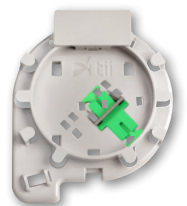


**BKT-506F-OT**  
Hardened Fiber Connector  
Adapter Mounting Bracket

## ADAPTER MOUNTING OPTIONS



**506F-OC**  
Hardened Fiber Connector  
Mounting Collar  
with Rubber Boot



**FP01-01-01**  
Fiber Plate with SC-APC Adapter