

171F Series

Fiber Transition Enclosure

CPE/Premise Wiring

DOT

FTTx

MDU

PON

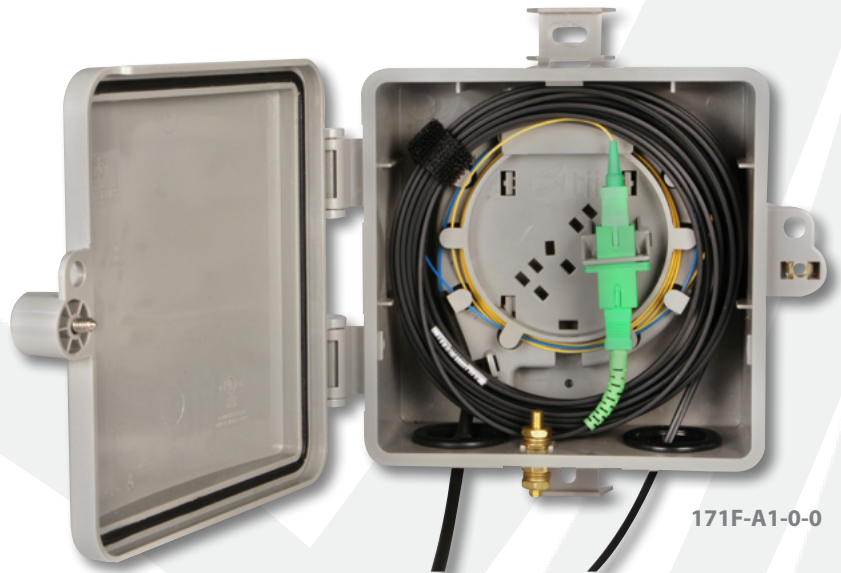


Tii Technologies Inc.

Corporate Headquarters:

141 Rodeo Drive
Edgewood, NY 11717
Phone: 631.789.5000
Fax: 631.789.5063
Toll Free: 888.844.4720
sales@tiitech.com

www.tiitech.com



The 171F is a compact enclosure designed to provide a demarcation and transition point between fiber drops and downstream devices. Its optional copper connectivity makes it an ideal device for interfacing to the Customer Premise, Small Cells, DAS, or G.fast modem devices.

The unit comes in a wide range of configurations including support for Tii's FP01 fiber plate. In this configuration, patch only or patch and splice is supported for up to two fibers. The internal fiber routing system allows for proper bend radius and slack storage of bend insensitive fiber.

This weatherproof design is ideally suited for outdoor pole or wall mount installations, and is available with a wide variety of input cable port types, including hardened fiber connector to SC adapters.

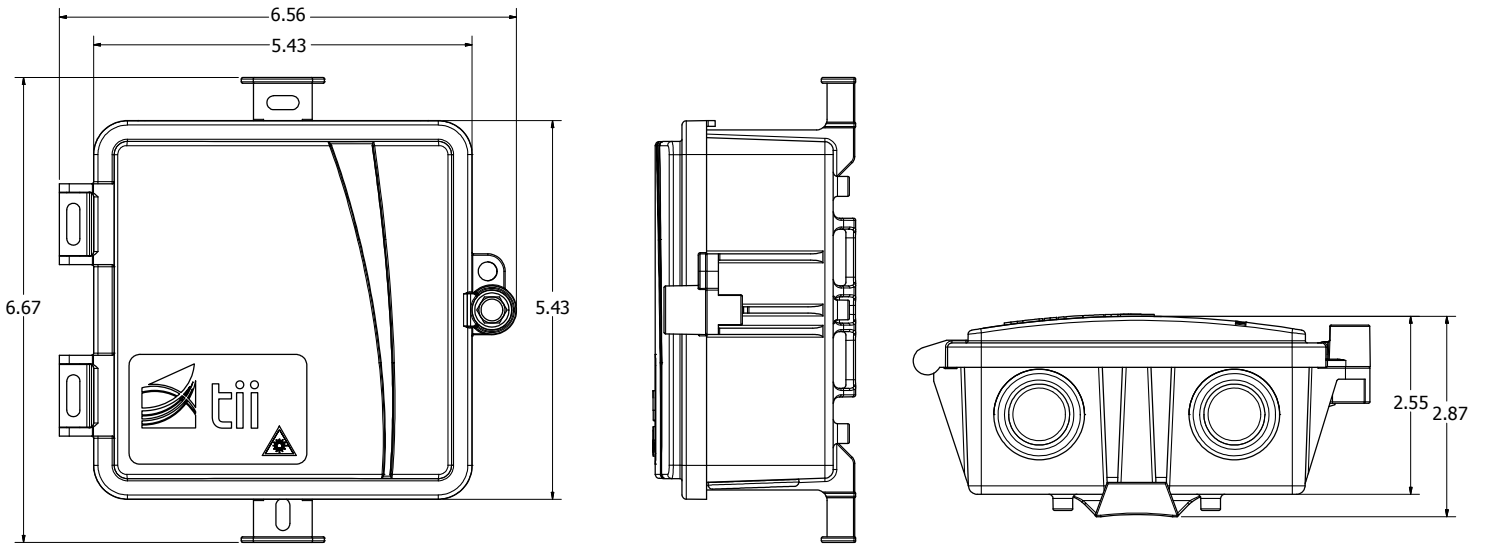
KEY PRODUCT BENEFITS

- ▶ Indoor/outdoor enclosure for wall or pole mounting; using pole straps (not included)
- ▶ Compact, low profile design for applications where space is limited
- ▶ Fiber adapter plate snaps in easily, and is designed for optimal bend radius of stored cable
- ▶ Up to two SC adapters (four LC) for demarcation point between OSP fiber and downstream device
- ▶ Optional Copper connectivity supports two pair IN/two pair OUT for line power applications, with test points
- ▶ Optional internal/external ground stud
- ▶ Outer cover secured by 216 tool compatible 3/8" hex head bolt with padlock provision
- ▶ Wide variety of grommets available including standard M25 cable glands and hardened fiber connector adapters
- ▶ Can be used to join two hardened fiber connector cables for length extension
- ▶ Constructed of superior materials capable of withstanding harsh outdoor environments

INDUSTRY STANDARDS

- ▶ Designed to meet NEMA-4, GR-771 and GR-2898 Requirements
- ▶ cUL Listed to 1863

171F Series



Dimensions are in Inches

ORDERING INFORMATION

171F -XX	X	XX	X	X	XX
* Adapter Mounting Options	Middle Plate for Power Connections	Ground Stud	Split Ratio	Splitter Qty.	OEM
00 = No FP Plate, No Adapters	0 = None	0 = None	0 = None	0-2	Contact Sales
01 = FP Plate, No Adapters	1 = Middle Plate	1 = Ground Stud	1 = 1x8		
U1 = One SC UPC Adapter on FP01 Plate			4 = 1x4		
U2 = Two SC UPC Adapters on FP01 Plate					
A1 = One SC APC Adapter on FP01 Plate					
A2 = Two SC APC Adapters on FP01 Plate					
A8 = Eight SC APC Adapters on FP03 Plate					

* call for LC model number

