

# CCPW1

## Fiber Optic Customer Connection Point Wallplate

FTTx

MDU

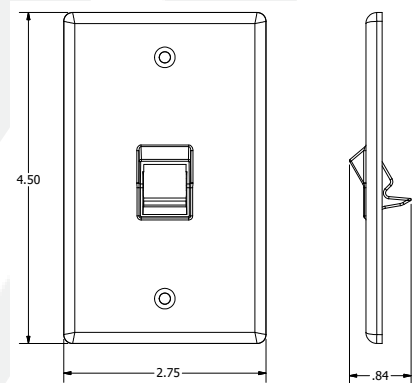
PON



The CCPW1 serves as a single fiber connection/demarcation point and is typically used at the MDU point-of-entry or as the FTTH ONT access point. The unit is wall mountable directly onto a single gang wiring box. The angled front face allows the connecting fiber to route close to the wall.

### KEY PRODUCT BENEFITS

- ▶ Compact, KS Adapter footprint
- ▶ SC-APC interface with internal laser safety shutter
- ▶ Multiple cable entry points
- ▶ Wallplate mounting
- ▶ Greenfield & Brownfield



### SPECIFICATIONS

Interface	Keystone
Physical Dimensions	4.5" H x 2.75" W x 0.84" D
Material	Flame retardant molded plastic, white

### ORDERING INFORMATION

Model #	Description
CCPW1	Wallplate with SC-APC Adapter and Internal Safety Shutter



Tii Technologies Inc.

Corporate Headquarters:  
141 Rodeo Drive  
Edgewood, NY 11717  
Phone: 631.789.5000  
Fax: 631.789.5063  
Toll Free: 888.844.4720  
sales@tiitech.com