

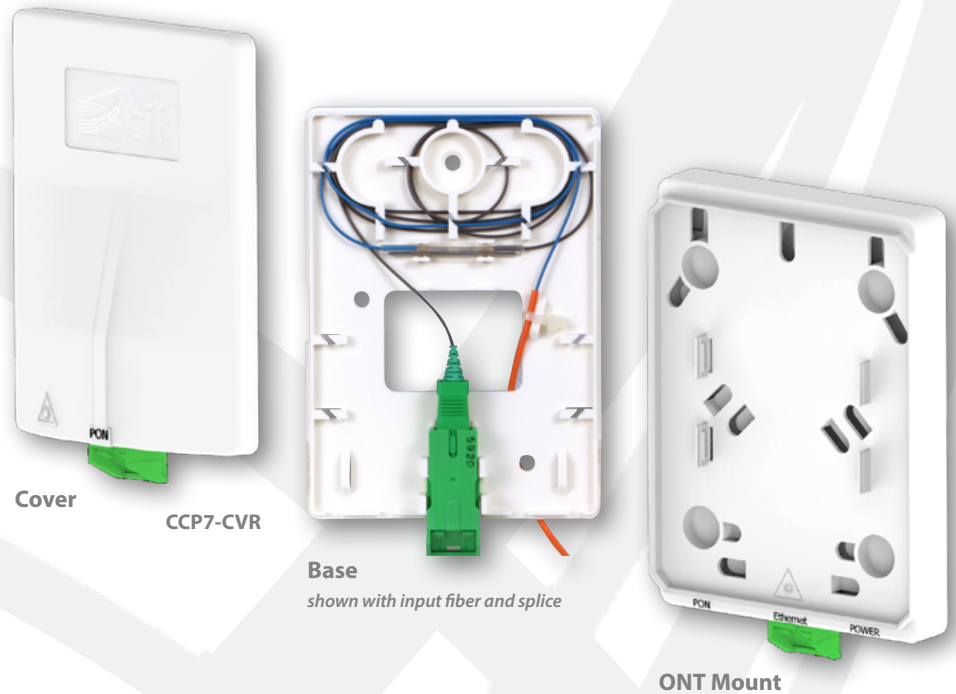
## CCP7 Series

### Fiber Optic ONT Connection Point

FTTP

MDU

PON



The CCP7 serves as a single fiber connection/demarcation point and is used as the FTTH ONT access point. The unit is directly wall mountable, or may be mounted onto a single gang wiring box.

This enclosure provides a secure location for slack storage and fiber connections. An aesthetically pleasing, low profile cover easily snaps over the base. An optional snap on ONT mounting plate is also available to simplify ONT installations. The integrated SC or LC adapter utilizes an internal safety shutter to prevent accidental light exposure, dust contamination, and ferrule damage.

#### KEY PRODUCT BENEFITS

- ▶ Fiber demarcation/ONT access point
- ▶ Gang box or wall mountable
- ▶ Optionally enables ONT mounting
- ▶ Supports field termination, fusion (2x) or mechanical splice using Fibrlok™ Model 2529
- ▶ Shuttered SC-APC or LC-UPC adapter prevents contamination
- ▶ Fiber management and slack storage
- ▶ Multiple cable entry options: rear, bottom, sides
- ▶ Accommodates up to 3mm fiber
- ▶ Greenfield and Brownfield
- ▶ Tii FPS Series Fiber Pathway compatible
- ▶ Low profile, aesthetically pleasing

#### INDUSTRY STANDARDS

- ▶ cUL Listed to 1863
- ▶ TIA/EIA 604-3-A
- ▶ IEC 61754-4

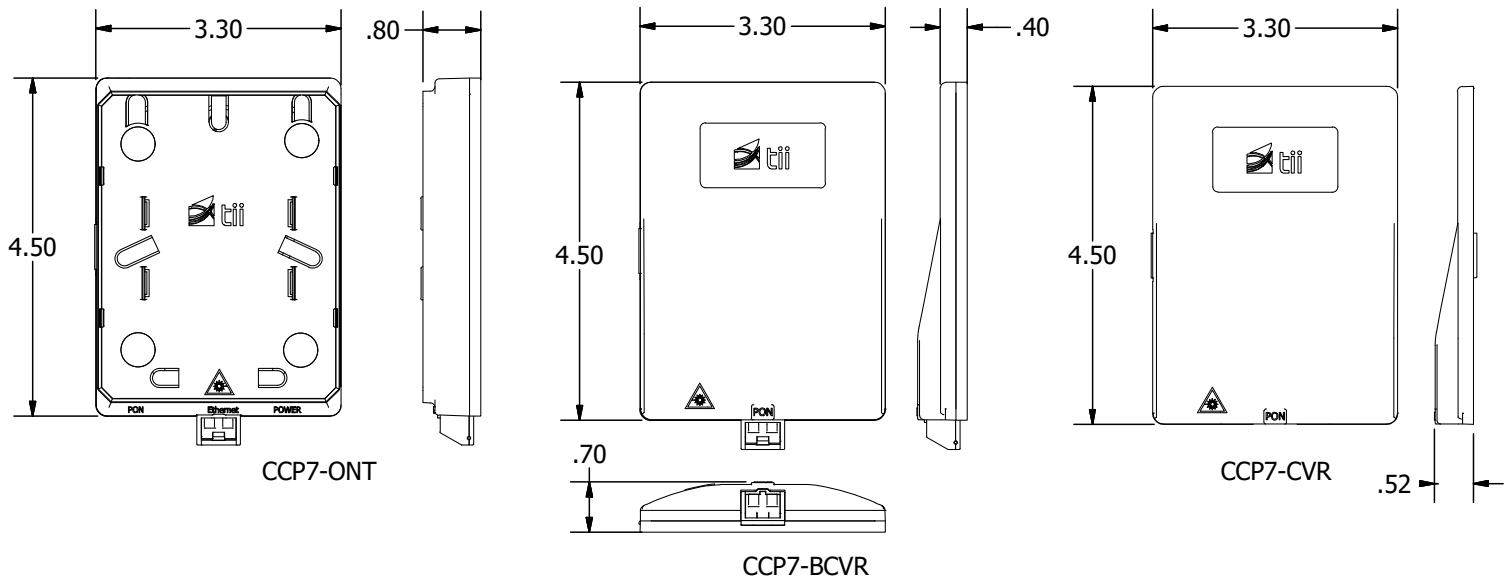


**Tii Technologies Inc.**

**Corporate Headquarters:**

141 Rodeo Drive  
Edgewood, NY 11717  
Phone: 631.789.5000  
Fax: 631.789.5063  
Toll Free: 888.844.4720  
sales@tiitech.com

# CCP7 Series



Dimensions are in Inches

## SPECIFICATIONS

<b>Interface</b>	Shuttered SC-APC or LC-UPC Adapter
<b>Splice Capacity</b>	One: Fusion or Fibrolok™
<b>Material</b>	Flame retardant thermoplastic, white

## ORDERING INFORMATION

Model No.	Description	Physical Dimensions
<b>CCP7-ONT</b>	1 Port SC-APC Fiber Jack with Internal Shutter, Includes Base and ONT Mount Plate	4.5" H x 3.3" W x 0.8" D
<b>CCP7-BCVR</b>	1 Port SC-APC Fiber Jack with Internal Shutter, Includes Base and Streamlined Cover	4.5" H x 3.3" W x 0.7" D
<b>CCP7-BCVR-LC</b>	2 Port LC-UPC Fiber Jack with Internal Shutter, Includes Base and Streamlined Cover	4.5" H x 3.3" W x 0.7" D
<b>CCP7-CVR</b>	Streamlined Cover Plate	4.5" H x 3.3" W x 0.5" D

Fibrolok™ is a registered trademark of 3M Telecommunications. Tii Technologies Inc. makes no claim to any rights in this mark.

INFORMATION CONTAINED IN THIS PUBLICATION IS PROVIDED ONLY FOR YOUR CONVENIENCE AND IS SUBJECT TO CHANGE WITHOUT NOTICE. TII TECHNOLOGIES MAKES NO REPRESENTATIONS OR WARRANTIES OF ANY KIND WHETHER EXPRESS OR IMPLIED, WRITTEN OR ORAL, STATUTORY OR OTHERWISE, RELATED TO THE INFORMATION, INCLUDING BUT NOT LIMITED TO ITS CONDITION, QUALITY, PERFORMANCE, MERCHANTABILITY OR FITNESS FOR PURPOSE; AND TII TECHNOLOGIES DISCLAIMS ALL LIABILITY ARISING FROM THE USE OF THIS INFORMATION.