

CCP6 Series

Fiber Optic Customer Connection Point

FTTP

MDU

PON



The CCP6 serves as a single fiber connection/demarcation point and is typically used at the customer premise point-of-entry, or as the FTTH ONT access point. This unit is directly wall mountable, or may be mounted on to a single gang wiring box.

The CCP6 includes an SC-APC fiber adapter for incoming fiber services and also offers an auxiliary Keystone port to provide an additional connection point for Coax, RJ-45 or RJ-11. These enclosures provide a secure location for fiber management and slack storage.

KEY PRODUCT BENEFITS

- ▶ Compact footprint
- ▶ Provisions for fiber management and slack storage
- ▶ SC-APC interface with optional internal laser safety shutter
- ▶ Secondary Keystone port for optional connections such as coax, RJ-45 or RJ-11
- ▶ Multiple cable entry points
- ▶ Greenfield and Brownfield
- ▶ Flexible mounting options:
 - Wall
 - Baseboard
 - Electrical Gang Box

INDUSTRY STANDARDS

- ▶ cUL Listed to 1863



Tii Technologies Inc.

Corporate Headquarters:

141 Rodeo Drive

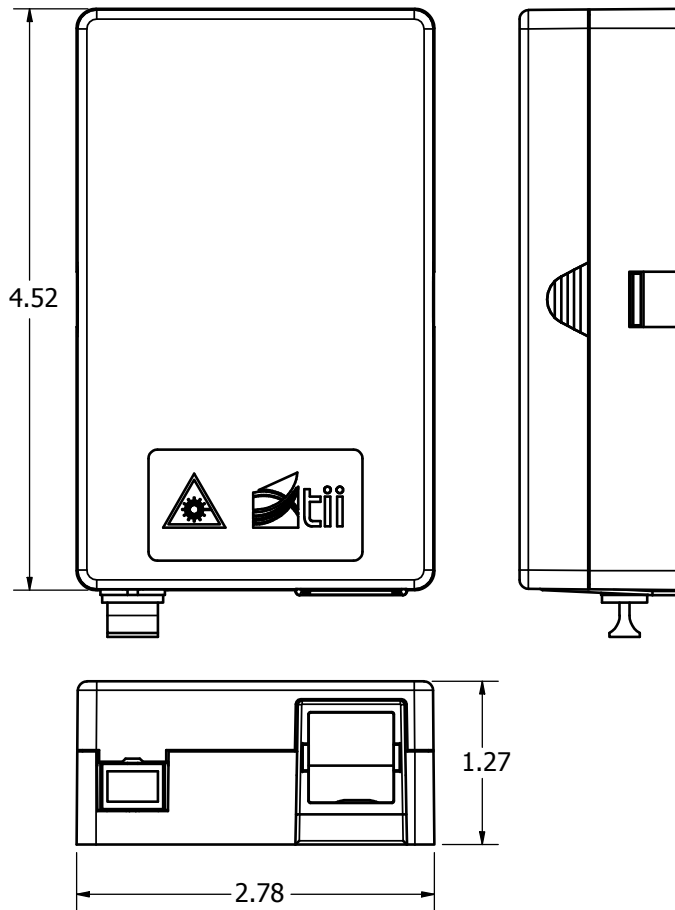
Edgewood, NY 11717

Phone: 631.789.5000

Fax: 631.789.5063

Toll Free: 888.844.4720

sales@tiitech.com



Dimensions are in Inches

SPECIFICATIONS

Interface	SC plus auxiliary Keystone port
Physical Dimensions	4.52" H x 2.78" W x 1.27" D
Material	Flame retardant molded plastic, white

ORDERING INFORMATION

Model No.	Description
CCP6R1SSNK	1 Port SC-APC Wall Terminal with Internal Shutter and Additional Auxiliary Keystone Port
CCP6R1SANK	1 Port SC-APC Wall Terminal with Additional Auxiliary Keystone Port