

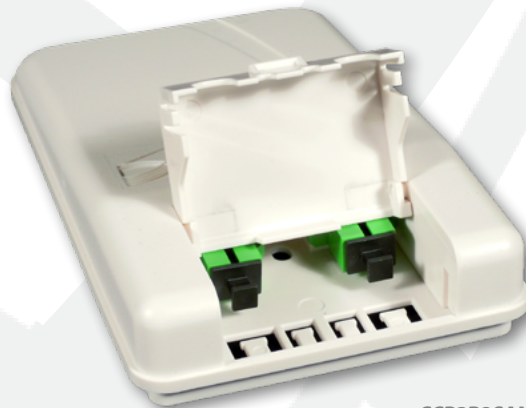
## CCP3 Series

### *Fiber Optic Customer Connection Point*

FTTP

MDU

PON



CCP3R2SAN

The CCP3 Series is a compact, indoor wall mount fiber termination and distribution enclosure. This unit is typically used as MDU ONT access point, FTTH ONT access point as well as FTTD desktop access point.

#### KEY PRODUCT BENEFITS

- ▶ Accommodates SC, SC-APC connectors
- ▶ Compact design can terminate up to 2 fibers
- ▶ Direct termination or fusion splice configurations
- ▶ Ideally used as an access point for MDU and FTTH ONTs as well as FTTD
- ▶ Multiple cable entry options
- ▶ Available with factory loaded pigtailed

#### INDUSTRY STANDARDS

- ▶ cUL Listed to 1863



**Tii Technologies Inc.**

**Corporate Headquarters:**

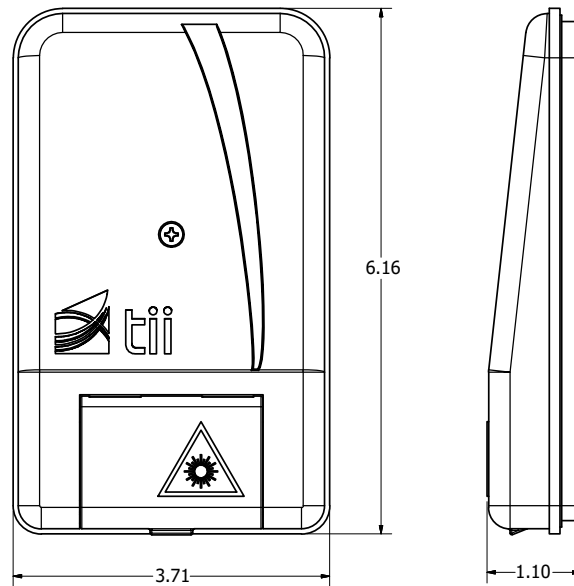
141 Rodeo Drive  
Edgewood, NY 11717

Phone: 631.789.5000

Fax: 631.789.5063

Toll Free: 888.844.4720

sales@tiitech.com



Dimensions are in Inches

## SPECIFICATIONS

<b>Interface</b>	Up to 2 ports SC, SC-APC
<b>Splice Capacity</b>	2 x 40mm
<b>Physical Dimensions</b>	6.16" H x 3.71" W x 1.08" D
<b>Material</b>	Molded plastic, white

## ORDERING INFORMATION

<b>Model No.</b>	<b>Description</b>
<b>CCP3R1SAN</b>	1 Port Wall Terminal SC-APC
<b>CCP3R1SA9</b>	1 Port Patch & Splice Panel SM SC-APC 900UM Pigtail
<b>CCP3R1SCN</b>	1 Port Wall Terminal SC
<b>CCP3R1SC9</b>	1 Port Patch & Splice Panel SM SC-UPC 900UM Pigtail
<b>CCP3R2SAN</b>	2 Port Wall Terminal SC-APC
<b>CCP3R2SA9</b>	2 Port Patch & Splice Panel SM SC-APC 900UM Pigtails
<b>CCP3R2SCN</b>	2 Port Wall Terminal SC
<b>CCP3R2SC9</b>	2 Port Patch & Splice Panel SM SC-UPC 900UM Pigtails